

no longer available - archive entry

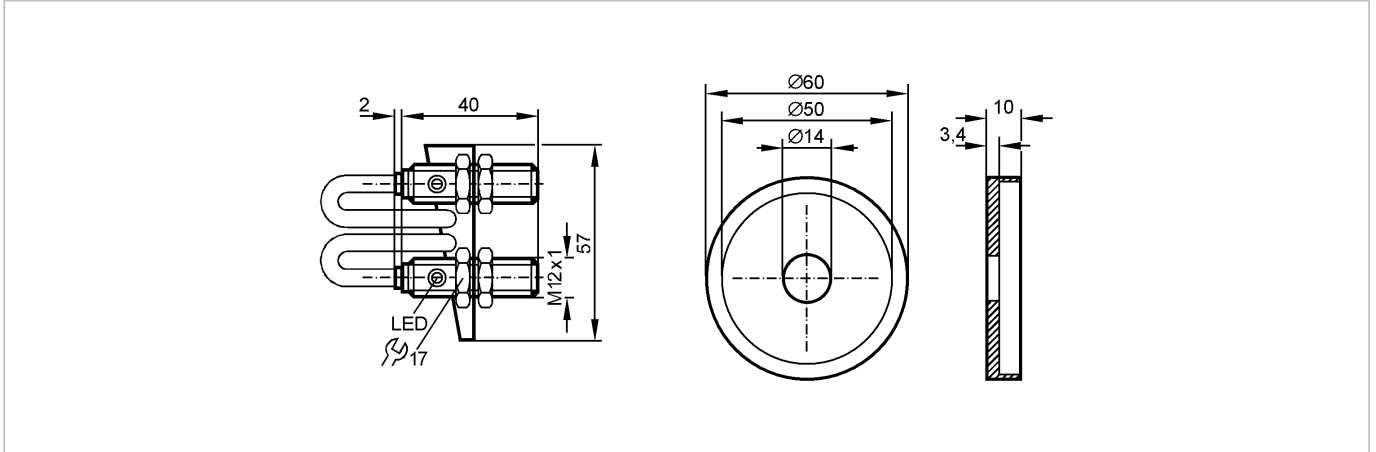
**efector100**

IF7005



IFC2004DARKG/US-D-L

Inductive sensors



Product characteristics

Inductive sensor

Plastic thread M12 x 1

Quick disconnect

Dual sensor

with target

Sensing range 4 mm; [nf] non-flush mountable

Application

Application

for valves 76...101.6 (NW 80...100)

Electrical data

Electrical design

DC PNP/NPN

Operating voltage [V]

10...36 DC

Protection class

II

Reverse polarity protection

yes

Outputs

Output function

normally open

Voltage drop [V]

< 4.6; per Sensor

Minimum load current [mA]

4

Leakage current [mA]

< 0.6; per Sensor

Current rating [mA]

150; per Sensor

Short-circuit protection

yes (non-latching)

Overload protection

yes

Switching frequency [Hz]

1500

Monitoring range

Sensing range [mm]

4

Real sensing range (Sr) [mm]

4 ± 10 %

Operating distance [mm]

0...3.25

Accuracy / deviations

Correction factors

mild steel = 1 / stainless steel approx. 0.7 / brass approx. 0.4 / aluminium approx. 0.3 / copper approx. 0.2

Hysteresis [% of Sr]

1...15

Switch-point drift [% of Sr]

-10...10

Environment

Ambient temperature [°C]

-25...80

Protection

IP 67

Tests / approvals

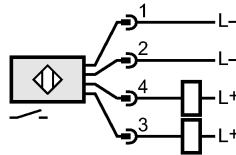
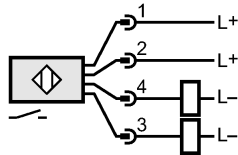
EMC

EN 60947-5-2

**IF7005 - Inductive sensor - eclass: 27270101 / 27-27-01-01**

MTTF	[Years]	1356
Mechanical data		
Mounting		non-flush mountable
Housing materials		PBT; Target: stainless steel (304S15)
Weight	[kg]	0.227
Displays / operating elements		
Output status indication	LED	yellow
Electrical connection		
Connection		M12 connector; gold-plated contacts

**Wiring**



2-3: High  
1-4: Low

Accessories		
Accessories (included)		2 mounting screws; Target puck
Remarks		
Remarks		Please note: The proximity switches have been adjusted with the enclosed target flag. If an older type of target flag is used, there is a risk of mechanical damage to the sensor if they are not adjusted properly before use.
Pack quantity	[piece]	1