

Product characteristics

Inductive sensor

Metal thread M12 x 1

Quick disconnect

Sensing range 4 mm; [nf] non-flush mountable

Electrical data

Electrical design

Operating voltage [V]

Protection class

Reverse polarity protection

Outputs

Output function

Voltage drop [V]

Minimum load current [mA]

Leakage current [mA]

Current rating

- Current rating (continuous) [mA]

- Current rating (peak) [mA]

Short-circuit proof

Overload protection

Switching frequency [Hz]

Monitoring range

Sensing range [mm]

Real sensing range (Sr) [mm]

Operating distance [mm]

Accuracy / deviations

Correction factors

Hysteresis [% of Sr]

Switch-point drift [% of Sr]

Environment

Ambient temperature [°C]

Protection

Tests / approvals

EMC

MTTF [Years]

Mechanical data

Mounting

Housing materials

Weight [kg]

Displays / operating elements

Output status indication LED

Electrical connection

AC

20...250 AC (47...63 Hz)

I

no

normally closed

< 8.5

8

< 2

250; at -25°C to +50°C, 200mA at +50°C to +80°C

\hat{i} : 0.9 A (20 ms / 0.5 Hz)

no

no

25

4

4 ± 10 %

0...3.25

mild steel = 1 / stainless steel approx. 0.7 / brass approx. 0.4 / aluminium approx. 0.4 / copper approx. 0.3

3...15

-10...10

-25...80

IP 67

EN 60947-5-2

EN 55011: class B

932

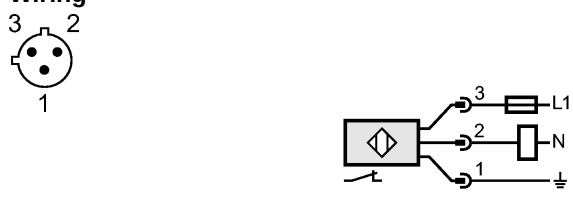
non-flush mountable

brass white bronze coated; PC (polycarbonate)

0.041

red

IF0287 - Inductive sensor - eclass: 27270101 / 27-27-01-01

Connection	1/2" connector
<p>Wiring</p>  <p>Note: miniature fuse to IEC60127-2 sheet 1, ≤ 2 A (fast acting)</p>	
Accessories	
Accessories (included)	2 lock nuts
Remarks	
Remarks	Recommendation: check the unit for reliable function after a short circuit.
Pack quantity [piece]	1