

Product characteristics

Inductive sensor

Metal thread M12 x 1

Cable

Sensing range 4 mm; [nf] non-flush mountable

Electrical data

Electrical design

Operating voltage [V]

Protection class

Reverse polarity protection

Outputs

Output function

Voltage drop [V]

Minimum load current [mA]

Leakage current [mA]

Current rating

- Current rating (continuous) [mA]

- Current rating (peak) [mA]

Short-circuit proof

Overload protection

Switching frequency [Hz]

Monitoring range

Sensing range [mm]

Real sensing range (Sr) [mm]

Operating distance [mm]

Accuracy / deviations

Correction factors

Hysteresis [% of Sr]

Switch-point drift [% of Sr]

Environment

Ambient temperature [°C]

Protection

Tests / approvals

EMC

MTTF [Years]

Mechanical data

Mounting

Housing materials

Weight [kg]

Displays / operating elements

Output status indication LED

Electrical connection

AC

20...250 AC (47...63 Hz)

II

no

normally open

< 8.5

8

< 2

200; 250 (...50 °C)

î: 0.9 A (20 ms / 0.5 Hz)

no

no

25

4

4 ± 10 %

0...3.25

mild steel = 1 / stainless steel approx. 0.7 / brass approx. 0.4 / aluminium approx. 0.3 / copper approx. 0.2

1...15

-10...10

-25...80

IP 67

EN 60947-5-2

EN 55011: class B

932

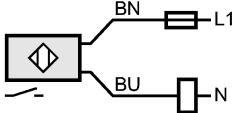
non-flush mountable

brass white bronze coated; active face: PBT

0.115

yellow

IF0007 - Inductive sensor - eclass: 27270101 / 27-27-01-01

Connection	PVC cable / 2 m; 2 x 0.5 mm ²
Wiring Core colors BN brown BU blue	
	
Note: miniature fuse to IEC60127-2 sheet 1, ≤ 2 A (fast acting)	
Accessories	
Accessories (included)	2 lock nuts
Remarks	
Remarks	Recommendation: check the unit for reliable function after a short circuit.
Pack quantity	1