

Product characteristics

Inductive sensor

Metal thread M12 x 1

Cable

Sensing range 2 mm; [f] flush mountable

Electrical data

Electrical design

AC

Operating voltage [V]

20...250 AC (47...63 Hz)

Protection class

II

Reverse polarity protection

no

Outputs

Output function

normally open

Voltage drop [V]

< 8.5

Minimum load current [mA]

8

Leakage current [mA]

< 2

Current rating

- Current rating (continuous) [mA]

200; 250 (...50 °C)

- Current rating (peak) [mA]

\hat{i} : 0.9 A (20 ms / 0.5 Hz)

Short-circuit proof

no

Overload protection

no

Switching frequency [Hz]

25

Monitoring range

Sensing range [mm]

2

Real sensing range (Sr) [mm]

$2 \pm 10\%$

Operating distance [mm]

0...1.6

Accuracy / deviations

Correction factors

mild steel = 1 / stainless steel approx. 0.7 / brass approx. 0.4 / aluminium approx. 0.3 / copper approx. 0.2

Hysteresis [% of Sr]

1...15

Switch-point drift [% of Sr]

-10...10

Environment

Ambient temperature [°C]

-25...80

Protection

IP 67

Tests / approvals

EMC

EN 60947-5-2

EN 55011: class B

MTTF [Years]

932

Mechanical data

Mounting

flush mountable

Housing materials

brass white bronze coated; active face: PBT

Weight [kg]

0.116

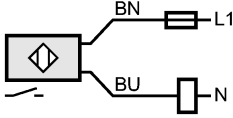
Displays / operating elements

Output status indication LED

yellow

Electrical connection

IF0005 - Inductive sensor - eclass: 27270101 / 27-27-01-01

Connection	PVC cable / 2 m; 2 x 0.5 mm ²
Wiring	
Core colors	
BN brown	
BU blue	
	
Note: miniature fuse to IEC60127-2 sheet 1, ≤ 2 A (fast acting)	
Accessories	
Accessories (included)	2 lock nuts
Remarks	
Remarks	Recommendation: check the unit for reliable function after a short circuit.
Pack quantity [piece]	1