

no longer available - archive entry Alternative article: IE5203

When selecting an alternative article and accessories please note that technical data may differ!

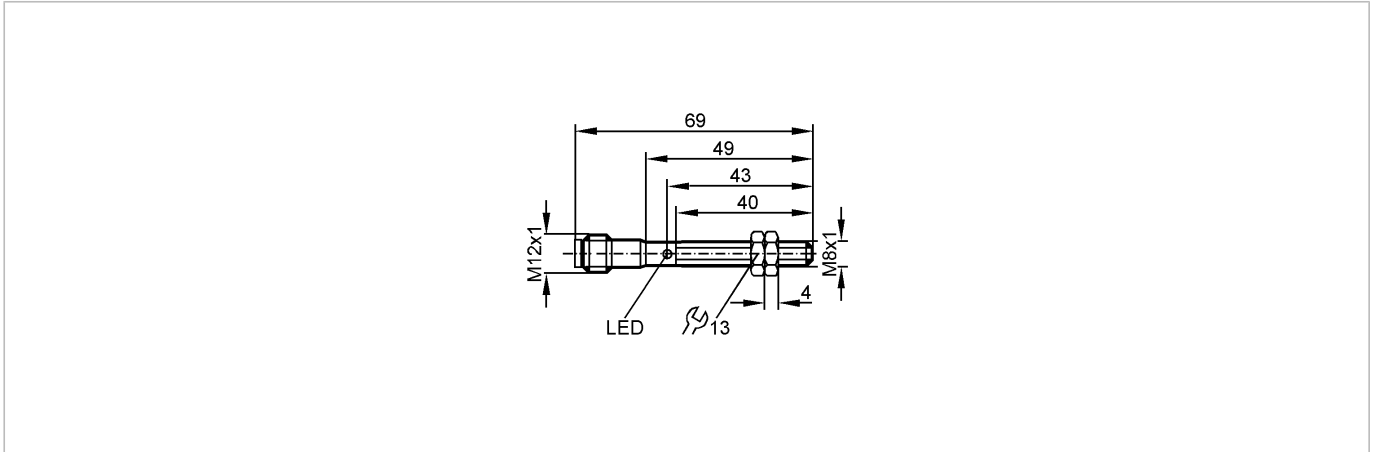
efectorio

IE5265



IEA2001-FROG/V4A/US-100-IRF/RT

Inductive sensors



Product characteristics

Inductive sensor

Metal thread M8 x 1

Quick disconnect

Sensing range 1 mm; [f] flush mountable

Electrical data

Electrical design

DC PNP/NPN

Operating voltage [V]

5...36 DC

Protection class

III

Reverse polarity protection

no

Outputs

Output function

normally open / closed programmable

Voltage drop [V]

< 4.6

Minimum load current [mA]

4

Leakage current [mA]

< 0.8

Current rating [mA]

200

Short-circuit protection

no

Overload protection

no

Switching frequency [Hz]

2000

Monitoring range

Sensing range [mm]

1

Real sensing range (Sr) [mm]

1 ± 10 %

Operating distance [mm]

0...0.8

Accuracy / deviations

Correction factors

mild steel = 1 / stainless steel approx. 0.7 / brass approx. 0.5 / aluminium approx. 0.4 / copper approx. 0.3

Hysteresis [% of Sr]

1...10

Switch-point drift [% of Sr]

-10...10

Environment

Ambient temperature [°C]

-25...80

Protection

IP 67

Tests / approvals

EMC

EN 60947-5-2

EN 55011:

class B

MTTF [Years]

3338

Mechanical data

IE5265 - Inductive sensor - eclass: 27270101 / 27-27-01-01

| | |
|-------------------------------|---|
| Mounting | flush mountable |
| Housing materials | threaded sleeve: stainless steel 316Ti / 1.4571; active face: PBT |
| Weight [kg] | 0.023 |
| Displays / operating elements | |
| Output status indication LED | red |
| Electrical connection | |
| Connection | M12 connector |

Wiring



| | |
|------------------------|-------------|
| Accessories | |
| Accessories (included) | 2 lock nuts |
| Remarks | |
| Pack quantity [piece] | 1 |

ifm efector, inc. • 1100 Atwater Drive • Malvern • PA 19355 — We reserve the right to make technical alterations without prior notice. — US — IE5265 — 06.03.2003

no longer available - archive entry Alternative article: IE5203

When selecting an alternative article and accessories please note that technical data may differ!