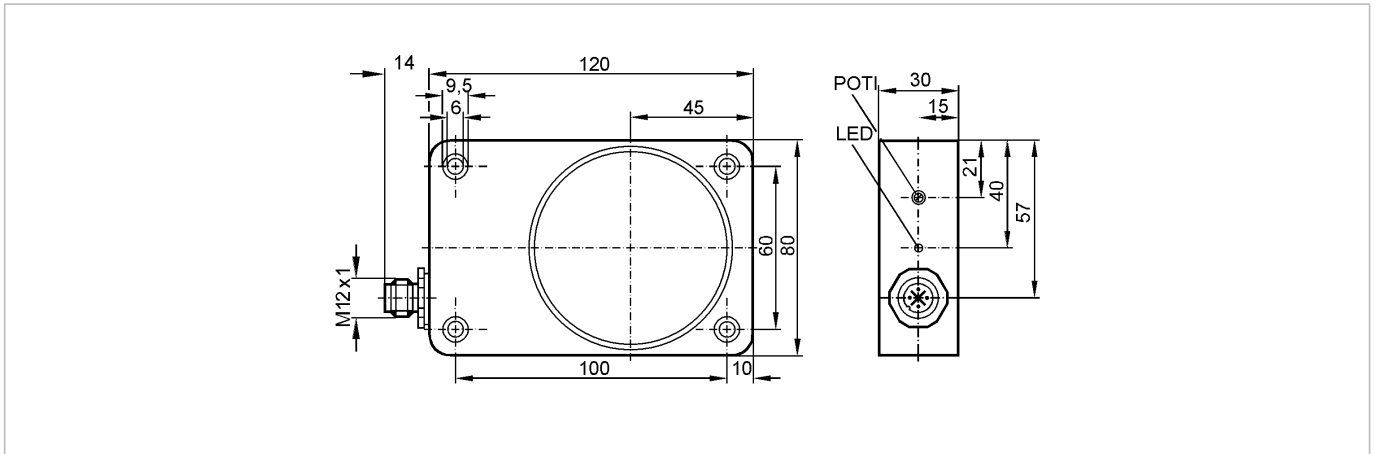


ID5063

ID-3050-BPKG/PP/US-100-DPS

Inductive sensors



Product characteristics

Inductive sensor

Rectangular, plastics

Quick disconnect

Sensing range 50 mm; adjustable; [nf] non-flush mountable

Electrical data

Electrical design		DC PNP
Operating voltage	[V]	10...36 DC
Current consumption	[mA]	15 (24 V)
Protection class		II
Reverse polarity protection		yes

Outputs

Output function		normally open
Voltage drop	[V]	< 2.5
Current rating	[mA]	250
Short-circuit protection		yes (non-latching)
Overload protection		yes
Switching frequency	[Hz]	8

Monitoring range

Sensing range	[mm]	50, adjustable
Real sensing range (Sr)	[mm]	50 ± 10 %
Operating distance	[mm]	0...40.5

Accuracy / deviations

Correction factors		mild steel = 1 / stainless steel approx. 0.7 / brass approx. 0.5 / aluminium approx. 0.4 / copper approx. 0.3
Hysteresis	[% of Sr]	1...15
Switch-point drift	[% of Sr]	-10...10

Environment

Ambient temperature	[°C]	-25...80
Protection		IP 67

Tests / approvals

EMC		EN 60947-5-2 EN 55011: class B
-----	--	-----------------------------------

ID5063

ID-3050-BPKG/PP/US-100-DPS

Inductive sensors

MTTF	[Years]	1390
------	---------	------

Mechanical data

Mounting	non-flush mountable	
Housing materials	PP (polypropylene); connector housing: stainless steel 316Ti / 1.4571	
Weight	[kg]	0.475

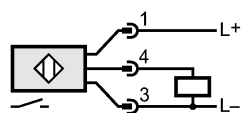
Displays / operating elements

Output status indication	LED	yellow
--------------------------	-----	--------

Electrical connection

Connection	M12 connector	
------------	---------------	--

Wiring



Accessories

Accessories (included)	screwdriver	
------------------------	-------------	--

Remarks

Pack quantity	[piece]	1
---------------	---------	---