

no longer available - archive entry

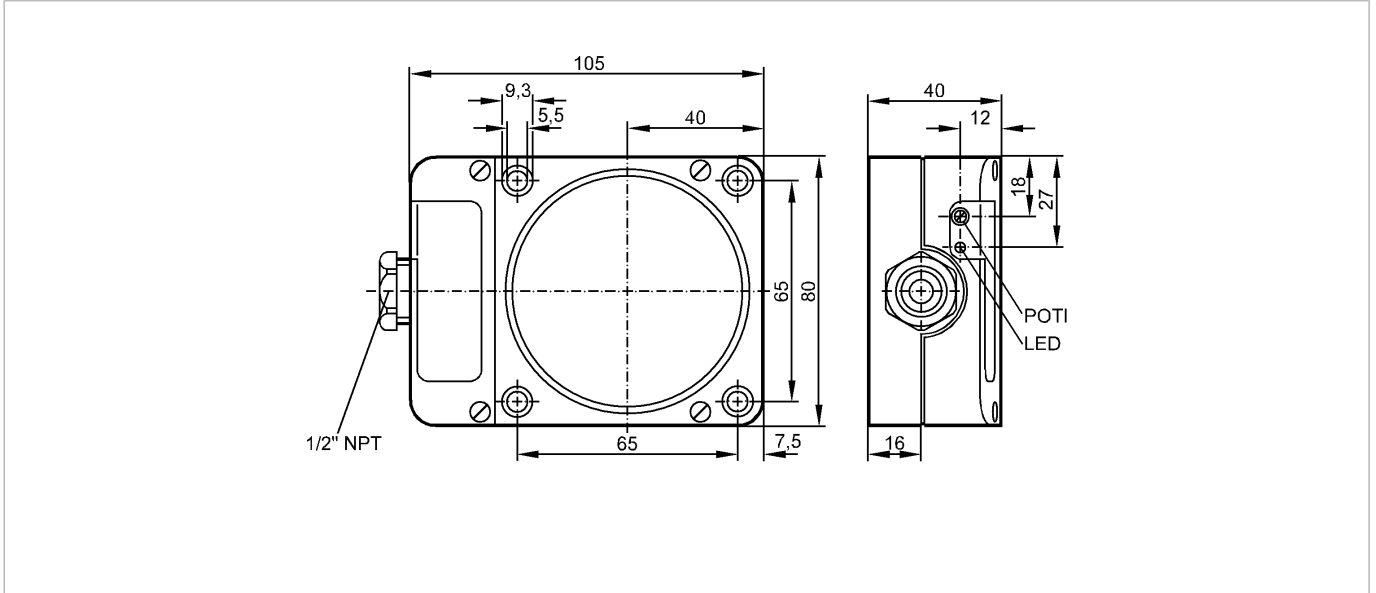
efector100

ID5053



IDE3060-FNKG/NPT RT

Inductive sensors



Product characteristics

Inductive sensor

Rectangular, plastics

Terminals

Sensing range 60 mm; adjustable; [n] non-flush mountable

Electrical data

Electrical design

DC NPN

Operating voltage [V]

10...36 DC

Current consumption [mA]

15 (24 V)

Protection class

II

Reverse polarity protection

yes

Outputs

Output function

normally open / closed programmable

Voltage drop [V]

< 2.5

Current rating [mA]

250

Short-circuit protection

yes (non-latching)

Overload protection

yes

Switching frequency [Hz]

4

Monitoring range

Sensing range [mm]

60, adjustable

Real sensing range (Sr) [mm]

60 ± 10 %

Operating distance [mm]

0...48.6

Accuracy / deviations

Correction factors

mild steel = 1 / stainless steel approx. 0.7 / brass approx. 0.4 / aluminium approx. 0.3 / copper approx. 0.2

Hysteresis [% of Sr]

1...15

Switch-point drift [% of Sr]

-10...10

Environment

Ambient temperature [°C]

-25...80

Protection

IP 65

Tests / approvals

EMC

EN 60947-5-2

EN 55011:

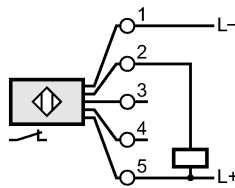
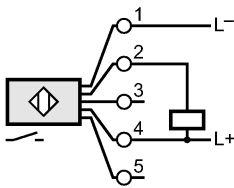
class B

ID5053 - Inductive sensor - eclass: 27270101 / 27-27-01-01

Mechanical data

| | |
|-------------------------------|-------------------------------------|
| Mounting | non-flush mountable |
| Housing materials | modified PPO |
| Weight [kg] | 0.436 |
| Displays / operating elements | |
| Output status indication LED | red |
| Electrical connection | |
| Connection | terminals up to 2.5 mm ² |

Wiring



Accessories

| | |
|------------------------|-------------|
| Accessories (included) | screwdriver |
|------------------------|-------------|

Remarks

| | |
|-----------------------|---|
| Pack quantity [piece] | 1 |
|-----------------------|---|

ifm efector, inc. • 1100 Atwater Drive • Malvern • PA 19355 — We reserve the right to make technical alterations without prior notice. — US — ID5053 — 06.03.2003
no longer available - archive entry