

no longer available - archive entry Alternative article: ID5005

When selecting an alternative article and accessories please note that technical data may differ!

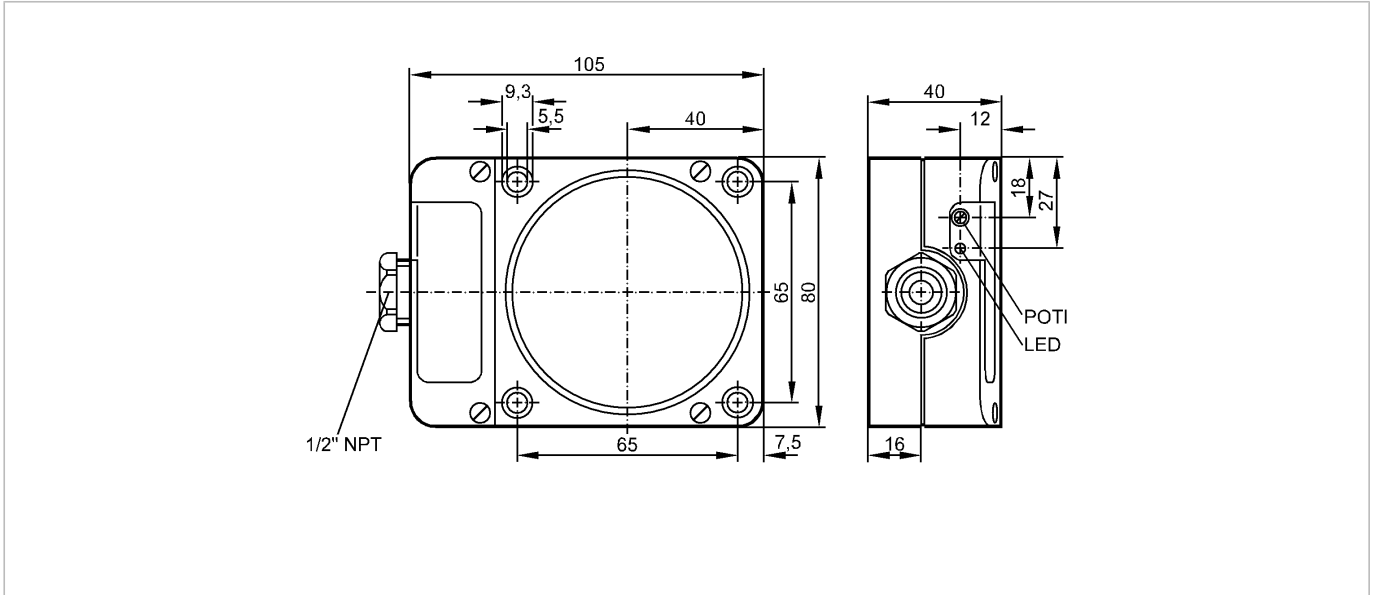
efector100

ID5052



IDE3060-FPKG/NPT

Inductive sensors



Product characteristics

Inductive sensor

Rectangular, plastics

Terminals

Sensing range 60 mm; adjustable; [nf] non-flush mountable

Electrical data

Electrical design

DC PNP

Operating voltage [V]

10...36 DC

Current consumption [mA]

15 (24 V)

Protection class

II

Reverse polarity protection

yes

Outputs

Output function

normally open / closed programmable

Voltage drop [V]

< 2.5

Current rating [mA]

250

Short-circuit protection

yes (non-latching)

Overload protection

yes

Switching frequency [Hz]

100

Monitoring range

Sensing range [mm]

60, adjustable

Real sensing range (Sr) [mm]

60 ± 10 %

Operating distance [mm]

0...48.6

Accuracy / deviations

Correction factors

mild steel = 1 / stainless steel approx. 0.7 / brass approx. 0.4 / aluminium approx. 0.3 / copper approx. 0.2

Hysteresis [% of Sr]

1...15

Switch-point drift [% of Sr]

-10...10

Environment

Ambient temperature [°C]

-25...80

Protection

IP 65

Tests / approvals

EMC

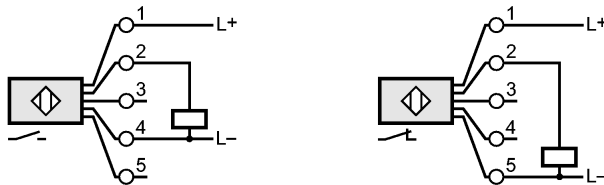
EN 61000-4-2 ESD:

- CD / 8 kV AD

ID5052 - Inductive sensor - eclass: 27270101 / 27-27-01-01

| | | |
|-------------------------------|---------|---|
| | | EN 61000-4-3 HF radiated: 10 V/m EN 61000-4-4 Burst: 2 kV EN 61000-4-5 Surge: 0.5 kV (line to line, Ri: 20hm) EN 61000-4-6 HF conducted: 10 V EN 55011: class B |
| MTTF | [Years] | 1277 |
| Mechanical data | | |
| Mounting | | non-flush mountable |
| Housing materials | | PPE |
| Weight | [kg] | 0.442 |
| Displays / operating elements | | |
| Output status indication | LED | yellow |
| Electrical connection | | |
| Connection | | terminals up to 2.5 mm ² ; cable diameter 7...13 mm |

Wiring



| | | |
|------------------------|---------|-------------|
| Accessories | | |
| Accessories (included) | | screwdriver |
| Remarks | | |
| Pack quantity | [piece] | 1 |

ifm efector, inc. • 1100 Atwater Drive • Malvern • PA 19355 — We reserve the right to make technical alterations without prior notice. — US — ID5052 — 06.03.2003
no longer available - archive entryAlternative article: ID5005

When selecting an alternative article and accessories please note that technical data may differ!