

no longer available - archive entry Alternative article: ID5046 + EVC001

When selecting an alternative article and accessories please note that technical data may differ!

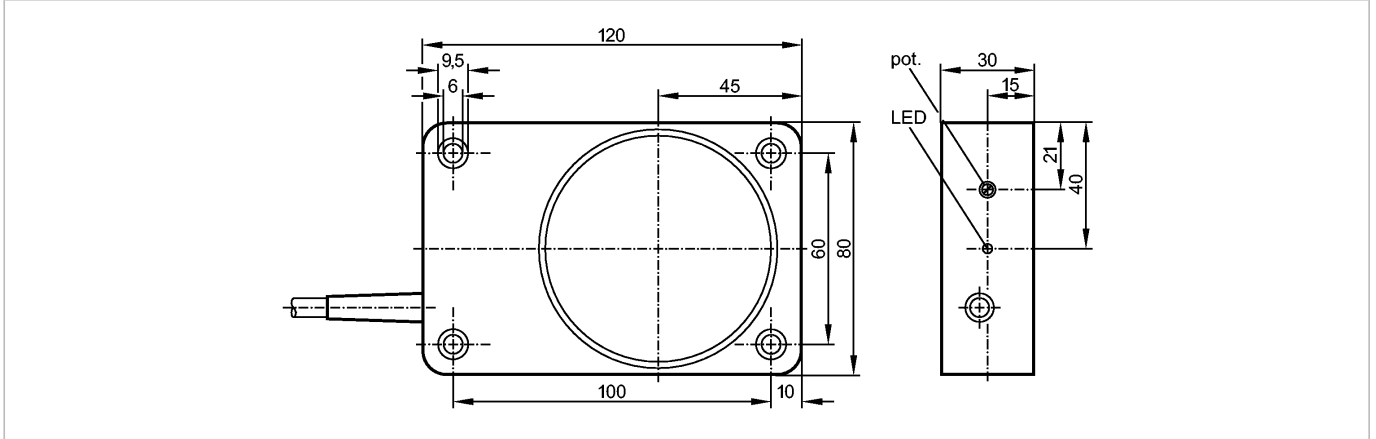
**efector100**

ID5027



ID-3050-APKG

Inductive sensors



Product characteristics

Inductive sensor

Rectangular, plastics

Cable

Sensing range 50 mm; adjustable; [nf] non-flush mountable

Electrical data

Electrical design

DC PNP

Operating voltage [V]

10...36 DC

Current consumption [mA]

15 (24 V)

Protection class

II

Reverse polarity protection

yes

Outputs

Output function

normally closed

Voltage drop [V]

< 2.5

Current rating [mA]

250

Short-circuit protection

yes (non-latching)

Overload protection

yes

Switching frequency [Hz]

100

Monitoring range

Sensing range [mm]

50, adjustable

Real sensing range (Sr) [mm]

50 ± 10 %

Operating distance [mm]

0...40.5

Accuracy / deviations

Correction factors

mild steel = 1 / stainless steel approx. 0.7 / brass approx. 0.4 / aluminium approx. 0.3 / copper approx. 0.2

Hysteresis [% of Sr]

1...15

Switch-point drift [% of Sr]

-10...10

Environment

Ambient temperature [°C]

-25...80

Protection

IP 67

Tests / approvals

EMC

EN 61000-4-2 ESD:

- CD / 8 kV AD

EN 61000-4-3 HF radiated:

10 V/m

EN 61000-4-4 Burst:

2 kV

EN 61000-4-5 Surge:

0.5 kV (line to line, Ri: 20hm)

EN 61000-4-6 HF conducted:

3 V

EN 55011:

class B

**ID5027 - Inductive sensor - eclass: 27270101 / 27-27-01-01**

MTTF	[Years]	1390
Mechanical data		
Mounting		non-flush mountable
Housing materials		PPE
Weight	[kg]	0.583
Displays / operating elements		
Output status indication	LED	yellow
Electrical connection		
Connection		PVC cable / 2 m; 3 x 0.5 mm <sup>2</sup>

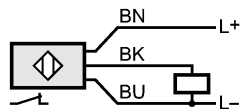
**Wiring**

Core colors

BN brown

BU blue

BK black



Accessories		
Accessories (included)		screwdriver
Remarks		
Pack quantity	[piece]	1

ifm efector, inc. • 1100 Atwater Drive • Malvern • PA 19355 — We reserve the right to make technical alterations without prior notice. — US — ID5027 — 06.03.2003

no longer available - archive entry Alternative article: ID5046 + EVC001

When selecting an alternative article and accessories please note that technical data may differ!