

no longer available - archive entry Alternative article: ID0038

When selecting an alternative article and accessories please note that technical data may differ!

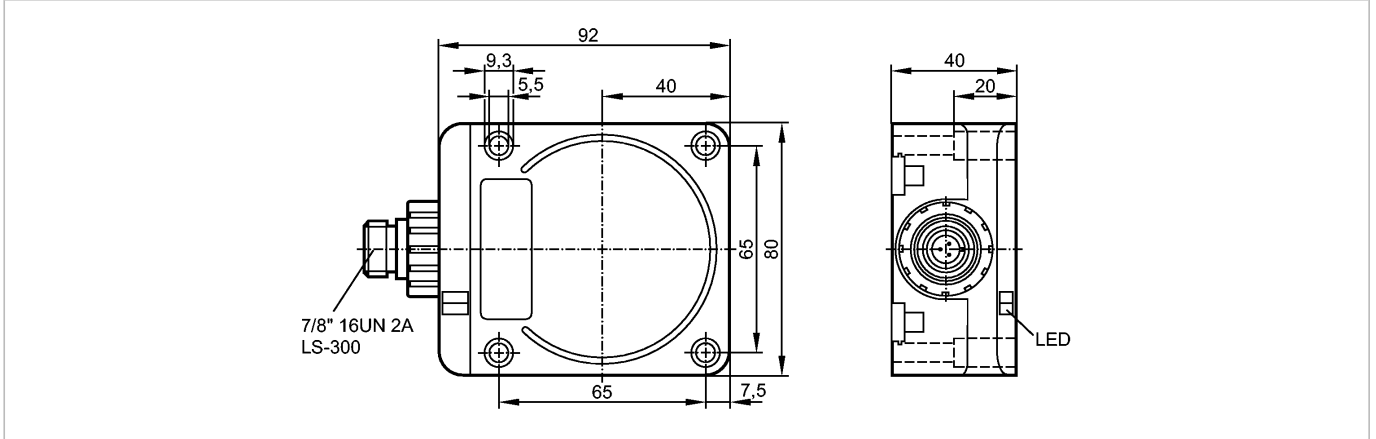
efectorio

ID0050



IDC2050BARKA/SC/LS-300BL

Inductive sensors



Product characteristics

Inductive sensor

Rectangular, plastics

Quick disconnect

Sensing range 50 mm; [f] flush mountable

Electrical data

Electrical design

AC/DC

Operating voltage [V]

20...140 AC / 10...140 DC (47...63 Hz AC)

Protection class

I

Reverse polarity protection

yes

Outputs

Output function

normally open

Voltage drop [V]

< 6

Minimum load current [mA]

5.5

Leakage current [mA]

< 1.7 (140 V AC/DC)

Current rating

- Current rating (continuous) [mA]

450

- Current rating (peak) [mA]

î: 2.2 A (20 ms / 0.5 Hz)

Short-circuit protection

yes (non-latching)

Overload protection

yes

Switching frequency [Hz]

25

Monitoring range

Sensing range [mm]

50

Operating distance [mm]

0...40.5

Accuracy / deviations

Correction factors

mild steel = 1 / stainless steel approx. 0.85 / brass approx. 0.48 / aluminium approx. 0.46 / copper approx. 0.38

Hysteresis [% of Sr]

3...20

Switch-point drift [% of Sr]

-15...15

Environment

Ambient temperature [°C]

-25...70

Protection

IP 67

Tests / approvals

EMC

EN 60947-5-2

MTTF [Years]

352

Mechanical data

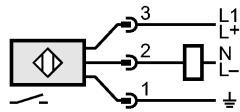
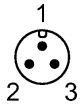
Mounting

flush mountable

ID0050 - Inductive sensor - eclass: 27270101 / 27-27-01-01

Housing materials		PPO (Noryl) PTFE-coated; diecast zinc; connector housing: brass nickel-plated
Weight	[kg]	0.434
Displays / operating elements		
Output status indication	LED	red
Power	LED	green
Function display	LED	green and red flashing alternately (short-circuit)
Electrical connection		
Connection		7/8" connector

Wiring



Accessories		
Accessories (included)		sealing plug
Remarks		
Pack quantity	[piece]	1

ifm efector, inc. • 1100 Atwater Drive • Malvern • PA 19355 — We reserve the right to make technical alterations without prior notice. — US — ID0050 — 19.02.2014
 no longer available - archive entryAlternative article: ID0038

When selecting an alternative article and accessories please note that technical data may differ!