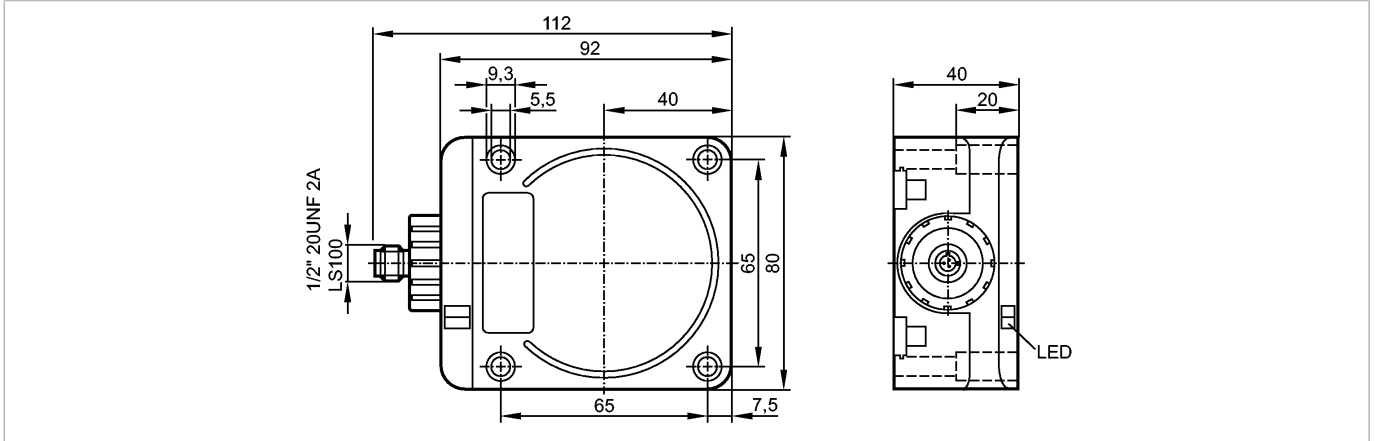




IDC2050BARKA/LS-100AK

Inductive sensors



Product characteristics

Inductive sensor

Rectangular, plastics

Quick disconnect

Sensing range 50 mm; [f] flush mountable

Electrical data

Electrical design

Operating voltage [V]

Protection class

Reverse polarity protection

Outputs

Output function

Voltage drop [V]

Minimum load current [mA]

Leakage current [mA]

**Current rating**

- Current rating (continuous) [mA]

- Current rating (peak) [mA]

Short-circuit protection

Overload protection

Switching frequency [Hz]

Monitoring range

Sensing range [mm]

Operating distance [mm]

Accuracy / deviations

Correction factors

Hysteresis [% of Sr]

Switch-point drift [% of Sr]

Environment

Ambient temperature [°C]

Protection

Tests / approvals

EMC

MTTF [Years]

Mechanical data

Mounting

Housing materials

AC/DC

20...140 AC / 10...140 DC (47...63 Hz AC)

I

yes

normally open

< 6

5.5

< 1.7 (140 V AC/DC)

450

$\hat{i}$ : 2.2 A (20 ms / 0.5 Hz)

yes (non-latching)

yes

25

50

0...40.5

mild steel = 1 / stainless steel approx. 0.85 / brass approx. 0.48 / aluminium approx. 0.46 / copper approx. 0.38

3...20

-15...15

-25...70

IP 67

EN 60947-5-2

352

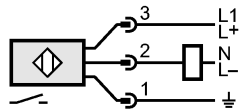
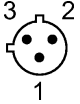
flush mountable

Noryl; diecast zinc; brass nickel-plated

**ID0039 - Inductive sensor - eclass: 27270101 / 27-27-01-01**

Weight	[kg]	0.428
Displays / operating elements		
Output status indication	LED	red
Power	LED	green
Function display	LED	green and red flashing alternately (short-circuit)
Electrical connection		
Connection		1/2" connector

**Wiring**



Accessories		
Accessories (included)		sealing plug
Remarks		
Pack quantity	[piece]	1