

Product characteristics

Inductive sensor

Rectangular, plastics

Terminals

Sensing range 60 mm; adjustable; [nfl] non-flush mountable

Electrical data

Electrical design

AC/DC

Operating voltage [V]

20...250 AC/DC

Protection class

II

Reverse polarity protection

no

Outputs

Output function

normally open / closed programmable

Voltage drop [V]

< 6.5 AC/DC

Minimum load current [mA]

5

Leakage current [mA]

< 2.5 (250 V AC) / < 1.3 (110 V AC) / < 1 (24 V DC)

Current rating

- Current rating (continuous) [mA]

250 AC / 100 DC; 350 AC (...50 °C)

- Current rating (peak) [mA]

î: 2.2 A (20 ms / 0.5 Hz)

Short-circuit proof

no

Overload protection

no

Switching frequency [Hz]

4

Monitoring range

Sensing range [mm]

60, adjustable

Real sensing range (Sr) [mm]

60 ± 10 %

Operating distance [mm]

0...48.6

Accuracy / deviations

Correction factors

mild steel = 1 / stainless steel approx. 0.7 / brass approx. 0.4 / aluminium approx. 0.3 / copper approx. 0.2

Hysteresis [% of Sr]

1...15

Switch-point drift [% of Sr]

-10...10

Environment

Ambient temperature [°C]

-25...80

Protection

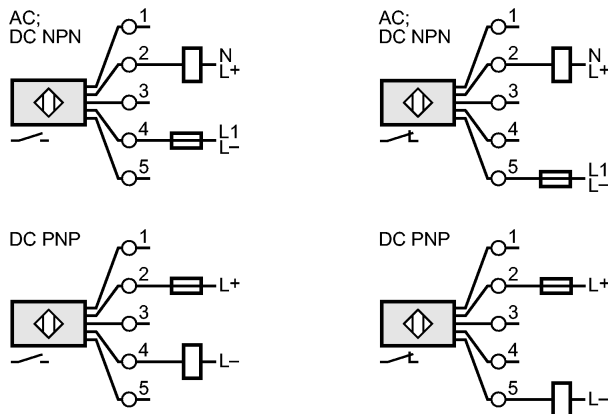
IP 65

Tests / approvals

ID0036 - Inductive sensor - eclass: 27270101 / 27-27-01-01

EMC	EN 60947-5-2 EN 55011:	class B
MTTF [Years]		460
Mechanical data		
Mounting		non-flush mountable
Housing materials		PPE
Weight [kg]		0.45
Displays / operating elements		
Output status indication LED		red
Electrical connection		
Connection		terminals up to 2.5 mm ² ; cable diameter 7...13 mm

Wiring



Note: miniature fuse to IEC60127-2 sheet 1, ≤ 2 A (fast acting)

Accessories		
Accessories (included)		screwdriver
Remarks		
Remarks		Recommendation: check the unit for reliable function after a short circuit.
Pack quantity [piece]		1