

Product characteristics

Inductive sensor

Rectangular, plastics

Terminals

Sensing range 60 mm; adjustable; [nf] non-flush mountable

Electrical data

Electrical design

Operating voltage [V]

Protection class

Reverse polarity protection

Outputs

Output function

Voltage drop [V]

Minimum load current [mA]

Leakage current [mA]

**Current rating**

- Current rating (continuous) [mA]

- Current rating (peak) [mA]

Short-circuit proof

Overload protection

Switching frequency [Hz]

Monitoring range

Sensing range [mm]

Real sensing range (Sr) [mm]

Operating distance [mm]

Accuracy / deviations

Correction factors

Hysteresis [% of Sr]

Switch-point drift [% of Sr]

Environment

Ambient temperature [°C]

Protection

Tests / approvals

EMC

MTTF [Years]

Mechanical data

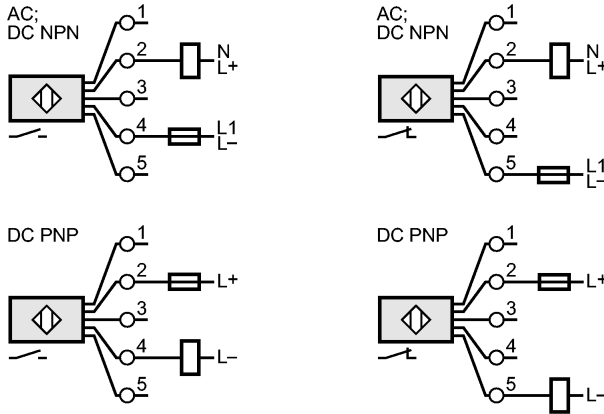
Mounting

|  |   |
|--|---|
|  | AC/DC   |
|  | 20...250 AC/DC  |
|  | II  |
|  | no  |
|  | normally open / closed programmable   |
|  | < 6.5 AC/DC   |
|  | 5   |
|  | < 2.5 (250 V AC) / < 1.3 (110 V AC) / < 1 (24 V DC)   |
|  | 250 AC / 100 DC; 350 AC (...50 °C)  |
|  | î: 2.2 A (20 ms / 0.5 Hz)   |
|  | no  |
|  | no  |
|  | 4   |
|  | 60, adjustable  |
|  | 60 ± 10 %   |
|  | 0...48.6  |
|  | mild steel = 1 / stainless steel approx. 0.7 / brass approx. 0.4 / aluminium approx. 0.3 / copper approx. 0.2 |
|  | 1...15  |
|  | -10...10  |
|  | -25...80  |
|  | IP 65   |
|  | EN 60947-5-2  |
|  | EN 55011: class B   |
|  | 460   |
|  | non-flush mountable   |

**ID0013 - Inductive sensor - eclass: 27270101 / 27-27-01-01**

|                               |   |
|-------------------------------|---|
| Housing materials             | modified PPE  |
| Weight [kg]                   | 0.438   |
| Displays / operating elements |   |
| Output status indication LED  | yellow  |
| Electrical connection         |   |
| Connection                    | terminals up to 2.5 mm <sup>2</sup> ; cable diameter 7...13 mm, cable gland M20 x 1.5 |

**Wiring**



Note: miniature fuse to IEC60127-2 sheet 1, ≤ 2 A (fast acting)

**Accessories**

|                        |   |
|------------------------|---|
| Accessories (included) | screwdriver   |
| Remarks                |   |
| Remarks                | Recommendation: check the unit for reliable function after a short circuit. |
| Pack quantity [piece]  | 1   |