

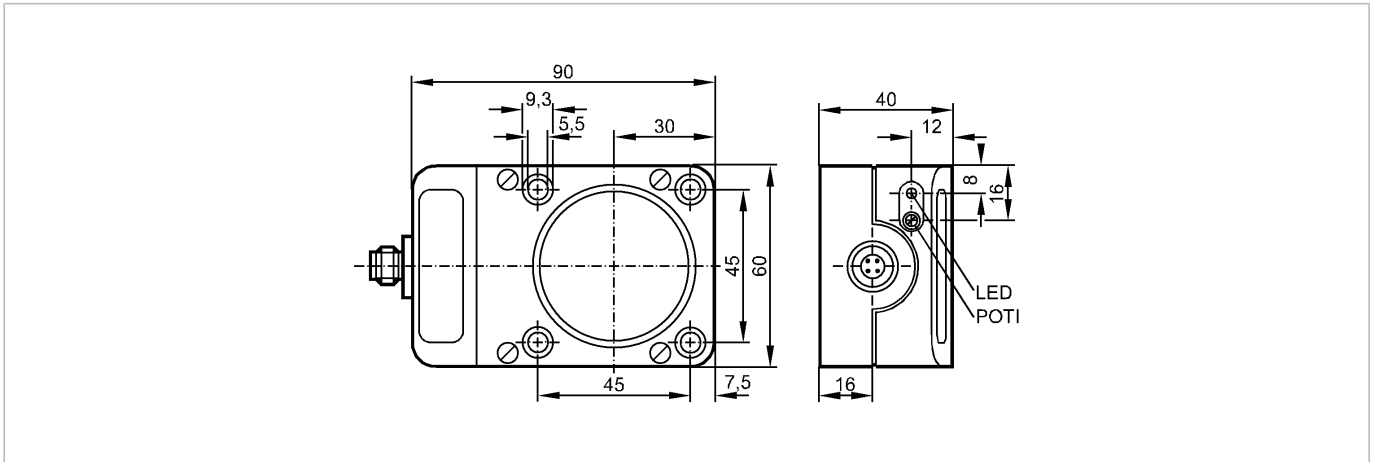
no longer available - archive entry

efector100

IC8503



Inductive sensors



Product characteristics

Inductive sensor	
Rectangular, plastics	
Quick disconnect	
Sensing range 40 mm; [nf] non-flush mountable	
Electrical data	
Electrical design	
Operating voltage [V]	DC PNP 10...36 DC
Current consumption [mA]	15 (24 V)
Protection class	II
Reverse polarity protection	yes
Outputs	
Output function	normally open / closed programmable
Voltage drop [V]	< 2.5
Current rating [mA]	250
Short-circuit protection	yes (non-latching)
Overload protection	yes
Switching frequency [Hz]	15
Monitoring range	
Sensing range [mm]	40
Real sensing range (Sr) [mm]	40 ± 10 %
Operating distance [mm]	0...32.4
Accuracy / deviations	
Correction factors	mild steel = 1 / stainless steel approx. 0.7 / brass approx. 0.4 / aluminium approx. 0.3 / copper approx. 0.2
Hysteresis [% of Sr]	1...15
Switch-point drift [% of Sr]	-10...10
Environment	
Ambient temperature [°C]	-25...80
Protection	IP 65
Tests / approvals	
EMC	EN 60947-5-2 EN 55011: class B
Mechanical data	
Mounting	non-flush mountable
Housing materials	modified PPO
Displays / operating elements	

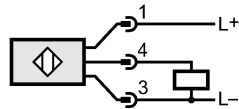
IC8503 - Inductive sensor - eclass: 27270101 / 27-27-01-01

Output status indication LED | red

Electrical connection

Connection | M12 connector

Wiring



Accessories

Accessories (included) | screwdriver

Remarks

Pack quantity [piece] | 1

ifm efector, inc. • 1100 Atwater Drive • Malvern • PA 19355 — We reserve the right to make technical alterations without prior notice. — US — IC8503 — 06.03.2003
no longer available - archive entry