

no longer available - archive entry replaced by: IM002A

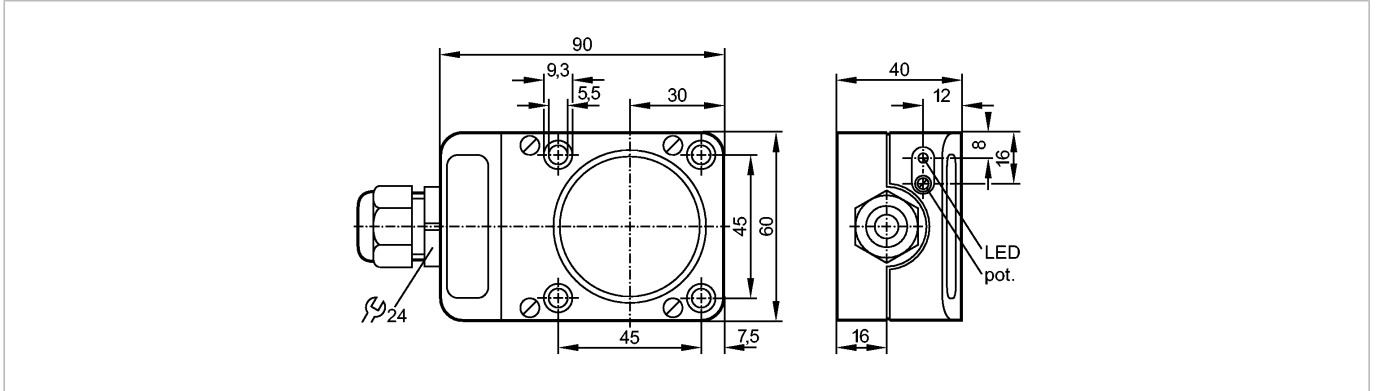
**efector100**

IC000A



ICE2040-FBOA/3D

Inductive sensors



Product characteristics

Inductive sensor

Rectangular, plastics

Terminals

ATEX approval

Group II, category 3D

Sensing range 40 mm; adjustable; [nf] non-flush mountable

Electrical data

Electrical design

Operating voltage [V]

Protection class

Reverse polarity protection

Outputs

Output function

Voltage drop [V]

Minimum load current [mA]

Leakage current [mA]

**Current rating**

- Current rating (continuous) [mA]

- Current rating (peak) [mA]

Short-circuit proof

Overload protection

Switching frequency [Hz]

Monitoring range

Sensing range [mm]

Real sensing range (Sr) [mm]

Operating distance [mm]

Accuracy / deviations

Correction factors

Hysteresis [% of Sr]

Switch-point drift [% of Sr]

Environment

Ambient temperature [°C]

Protection

Tests / approvals

Marking of the unit

EMC

AC/DC

20...250 AC/DC

II

no

normally open / closed programmable

< 6.5 AC / < 6 DC

5

< 2.5 (250 V AC) / < 1.3 (110 V AC) / < 0.8 (24 V DC)

200 AC / 100 DC; 350 mA AC (...50°C) / 250 mA AC (...80°C) when used outside the hazardous area

î: 2.2 A (20 ms / 0.5 Hz)

no

no

10

40, adjustable

40 ± 10 %

0...32.4

mild steel = 1 / stainless steel approx. 0.7 / brass approx. 0.4 / aluminium approx. 0.3 / copper approx. 0.2

1...15

-10...10

-20...60, -25...80 °C when used outside the hazardous area

IP 54; IP 65 outside hazardous areas

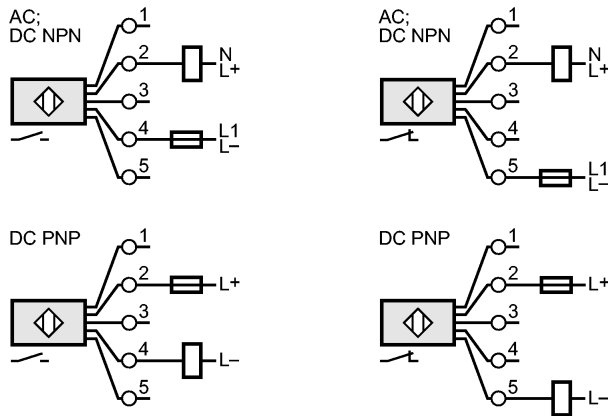
Ex II 3D Ex tD A22 IP54 T80°C X

EN 60947-5-2

**IC000A - Inductive sensor - eclass: 27270101 / 27-27-01-01**

MTTF	[Years]	496
Mechanical data		
Mounting		non-flush mountable
Housing materials		PPE
tightening torque for cable gland [Nm]		3.5
Weight	[kg]	0.291
Displays / operating elements		
Output status indication	LED	yellow
Electrical connection		
Connection		terminals up to 2.5 mm <sup>2</sup> ; cable diameter 5.5...13 mm, cable gland M20 x 1.5

**Wiring**



Note: miniature fuse to IEC60127-2 sheet 1, ≤ 2 A (fast acting)  
Place the fuse outside the hazardous area.

**Accessories**

Accessories (included)		screwdriver
Remarks		
Remarks		Recommendation: check the unit for reliable function after a short circuit.
Pack quantity	[piece]	1