

Product characteristics

Inductive sensor

Rectangular, plastics

Terminals

Sensing range 40 mm; adjustable; [nf] non-flush mountable

Electrical data

Electrical design

Operating voltage [V]

Protection class

Reverse polarity protection

Outputs

Output function

Voltage drop [V]

Minimum load current [mA]

Leakage current [mA]

Current rating

- Current rating (continuous) [mA]

- Current rating (peak) [mA]

Short-circuit proof

Overload protection

Switching frequency [Hz]

Monitoring range

Sensing range [mm]

Real sensing range (Sr) [mm]

Operating distance [mm]

Accuracy / deviations

Correction factors

Hysteresis [% of Sr]

Switch-point drift [% of Sr]

Environment

Ambient temperature [°C]

Protection

Tests / approvals

EMC

MTTF [Years]

Mechanical data

Mounting

Housing materials

Weight [kg]

Displays / operating elements

AC/DC

20...250 AC/DC

II

no

normally open / closed programmable

< 6.5 AC / < 6 DC

5

< 2.5 (250 V AC) / < 1.3 (110 V AC) / < 0.8 (24 V DC)

250 AC / 100 DC; 350 AC (...50 °C)

\hat{i} : 2.2 A (20 ms / 0.5 Hz)

no

no

10

40, adjustable

40 ± 10 %

0...32.4

mild steel = 1 / stainless steel approx. 0.7 / brass approx. 0.4 / aluminium approx. 0.3 / copper approx. 0.2

1...15

-10...10

-25...80

IP 65

EN 60947-5-2

EN 55011:

class B

496

non-flush mountable

PPE

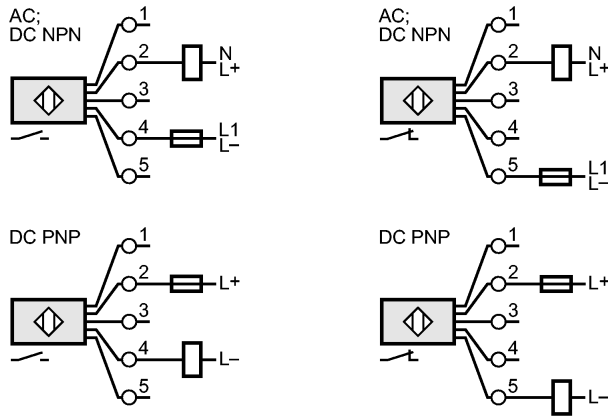
0.273

IC0003 - Inductive sensor - eclass: 27270101 / 27-27-01-01

| | | |
|--------------------------|-----|--------|
| Output status indication | LED | yellow |
|--------------------------|-----|--------|

| | | |
|-----------------------|---|--|
| Electrical connection | | |
| Connection | terminals up to 2.5 mm ² ; cable diameter 7...13 mm, cable gland M20 x 1.5 | |

Wiring



Note: miniature fuse to IEC60127-2 sheet 1, ≤ 2 A (fast acting)

Accessories

| | |
|------------------------|-------------|
| Accessories (included) | screwdriver |
|------------------------|-------------|

| | |
|---------|---|
| Remarks | Recommendation: check the unit for reliable function after a short circuit. |
|---------|---|

| | | |
|---------------|---------|---|
| Pack quantity | [piece] | 1 |
|---------------|---------|---|