



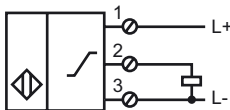
Model Number

IA40-FP-I3-P2

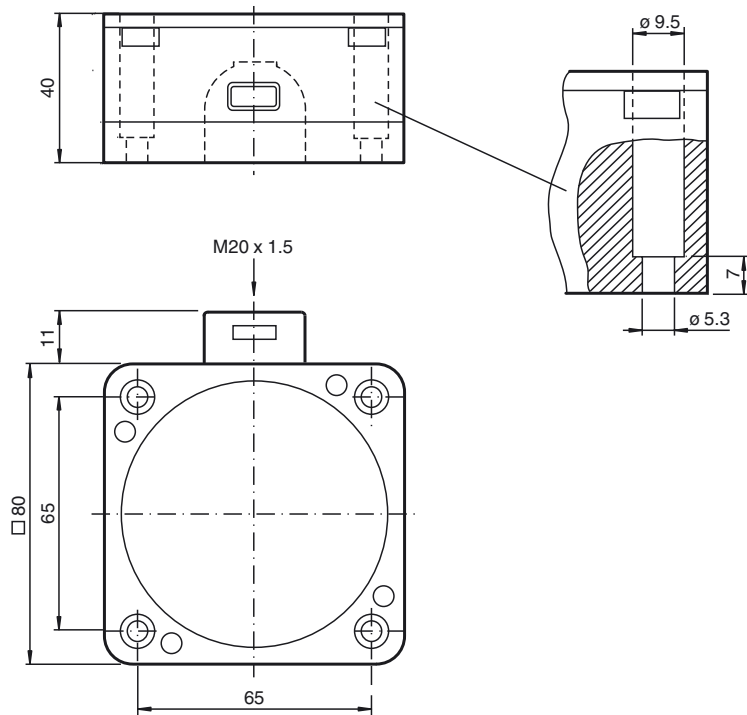
Features

- Surface mount
- Sensing range 15...40 mm
- Inductive analog
- 3-wire DC

Connection



Dimensions



Technical Data

General specifications

Switching element function	Analog current output
Installation	non-flush
Output polarity	DC
Actuating element	mild steel, e. g. 1.0037, SR235JR (formerly St37-2) , 120 mm x 120 mm x 1 mm
Measurement range	15 ... 40 mm

Nominal ratings

Repeat accuracy	0 ... 6 µm
-----------------	------------

Functional safety related parameters

MTTF _d	1470 a
Mission Time (T _M)	20 a
Diagnostic Coverage (DC)	0 %

Electrical specifications

Operating voltage	U _B	15 ... 30 V DC
No-load supply current	I ₀	≤ 8 mA

Analog output

Output type	0 ... 20 mA
Linearity error	≤ ± 10 % of full-scale value
Load resistor	≤ 500 Ω
Rate of current rise	
0 ... 20 mA	max. 12 A/s
20 ... 0 mA	max. 5.1 A/s
Recovery time	1 ... 10 ms , typ. 5 ms
Adjustment tolerance zero point	≤ ± 10 % of full-scale value
Temperature drift	≤ ± 0.1 %/K of full-scale value
Operating voltage	≤ 0.5 %
Residual ripple	± 30 µA

Ambient conditions

Ambient temperature	-10 ... 70 °C (14 ... 158 °F)
---------------------	-------------------------------

Mechanical specifications

Connection type	screw terminals
Core cross-section	up to 2.5 mm ²
Housing material	PBT
Sensing face	PBT
Housing base	PBT
Protection degree	IP67

Compliance with standards and directives

Standard conformity	
Standards	EN 60947-5-2:2007 IEC 60947-5-2:2007 EN 60947-5-7:2003 IEC 60947-5-7:2003

Approvals and certificates

UL approval	cULus Listed, General Purpose
CSA approval	cCSAus Listed, General Purpose
CCC approval	CCC approval / marking not required for products rated ≤36 V

Release date: 2013-06-17 11:42 Date of issue: 2013-06-17 02:15:51_eng.xml

Curves

Output characteristics

