



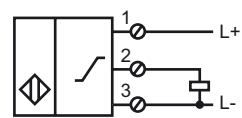
**Model Number**

IA40-FP-I3-P1

**Features**

- 40 mm non-flush
- 3-wire DC
- Inductive analog
- Output 0 mA ... 20 mA

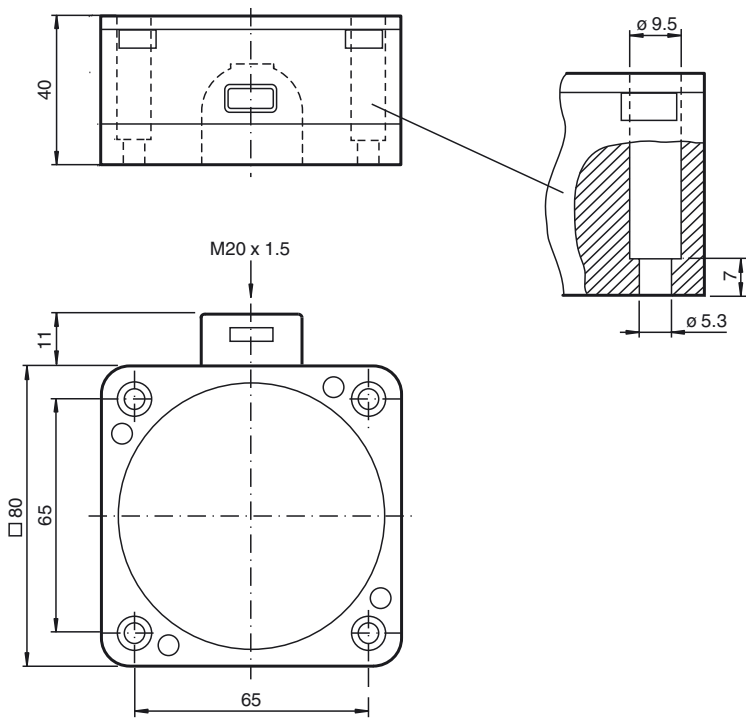
**Connection**



**Accessories**

**DA5-IU-C**  
Digital display unit

**Dimensions**



**Technical Data**

<b>General specifications</b>	
Switching element function	Analog current output
Installation	non-flush
Output polarity	DC
Actuating element	mild steel, e. g. 1.0037, SR235JR (formerly St37-2) , 120 mm x 120 mm x 1 mm
Measurement range	15 ... 40 mm
<b>Nominal ratings</b>	
Repeat accuracy	0 ... 6 µm
<b>Functional safety related parameters</b>	
MTTF <sub>d</sub>	1470 a
Mission Time (T <sub>M</sub> )	20 a
Diagnostic Coverage (DC)	0 %
<b>Electrical specifications</b>	
Operating voltage	U <sub>B</sub> 15 ... 30 V DC
No-load supply current	I <sub>0</sub> ≤ 8 mA
<b>Analog output</b>	
Output type	0 ... 20 mA
Linearity error	≤ ± 10 % of full-scale value
Load resistor	≤ 500 Ω
Rate of current rise	
0 ... 20 mA	max. 12 A/s
20 ... 0 mA	max. 5.1 A/s
Recovery time	1 ... 10 ms , typ. 5 ms
Adjustment tolerance zero point	≤ ± 10 % of full-scale value
Temperature drift	≤ ± 0.1 %/K of full-scale value
Operating voltage	≤ 0.5 %
Residual ripple	± 30 µA
<b>Ambient conditions</b>	
Ambient temperature	-10 ... 70 °C (14 ... 158 °F)
<b>Mechanical specifications</b>	
Connection type	terminal compartment
Core cross-section	up to 2.5 mm <sup>2</sup>
Housing material	PBT
Sensing face	PBT
Housing base	PBT
Protection degree	IP67
<b>Compliance with standards and directives</b>	
Standard conformity	
Standards	EN 60947-5-2:2007 IEC 60947-5-2:2007 EN 60947-5-7:2003 IEC 60947-5-7:2003

<b>Approvals and certificates</b>	
UL approval	cULus Listed, General Purpose
CSA approval	cCSAus Listed, General Purpose
CCC approval	CCC approval / marking not required for products rated ≤36 V

Release date: 2013-06-17 11:41 Date of issue: 2013-06-17 019768\_eng.xml

Curves

Output characteristics

