

no longer available - archive entry

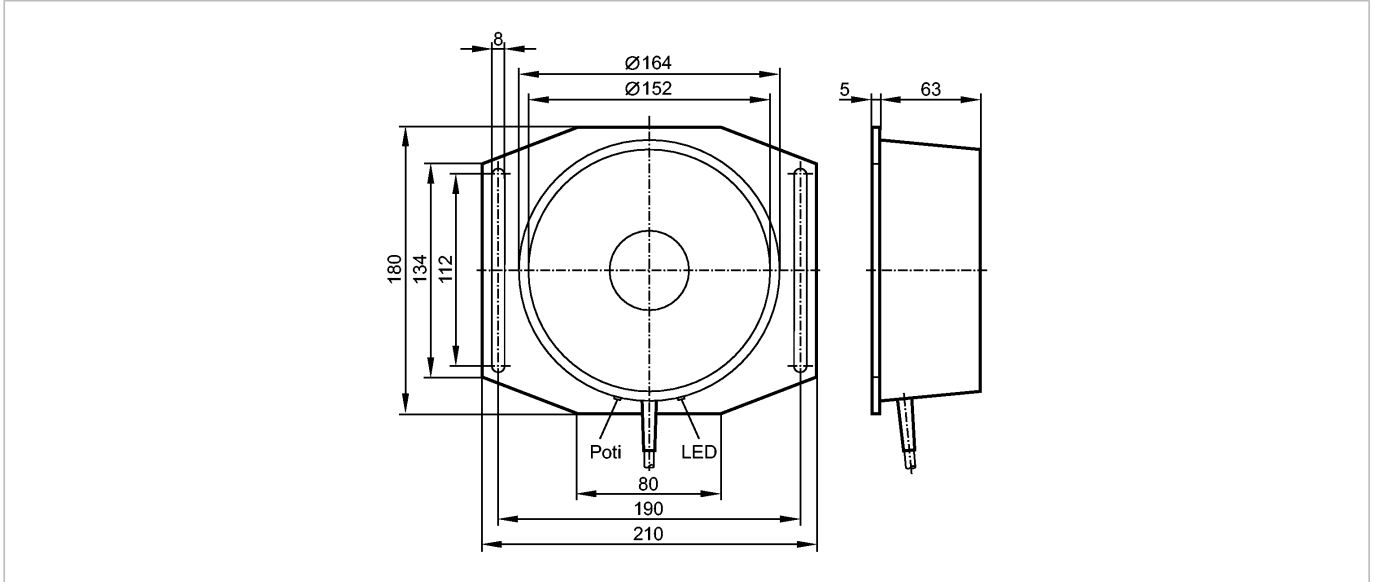
efector100

I27004



SIY-3120-ANKG

Inductive sensors



Product characteristics

Inductive sensor

Plastic housing \varnothing 164 mm

Cable

with mounting plate

Sensing range 120 mm; adjustable 30...120 mm; [nf] non-flush mountable

Electrical data

Electrical design

DC NPN

Operating voltage [V]

12...36 DC

Current consumption [mA]

< 7

Outputs

Output function

normally open

Voltage drop [V]

< 2.5

Current rating [mA]

200

Switching frequency [Hz]

3

Monitoring range

Sensing range [mm]

120, adjustable 30...120 mm

Real sensing range (Sr) [mm]

30...120

Accuracy / deviations

Correction factors

mild steel = 1 / stainless steel approx. 0.7 / brass approx. 0.4 / aluminium approx. 0.3 / copper approx. 0.2

Hysteresis [% of Sr]

< 15

Switch-point drift [% of Sr]

-15...15

Environment

Ambient temperature [°C]

-20...70

Protection

IP 65

Tests / approvals

EMC

EN 60947-5-2

Mechanical data

Mounting

non-flush mountable

Housing materials

housing: PBT; Mounting plate: aluminum anodized

Displays / operating elements

Output status indication LED

yellow

Electrical connection

I27004 - Inductive sensor - eclass: 27270101 / 27-27-01-01

Connection

PVC cable / 2 m; 3 x 0.5 mm²

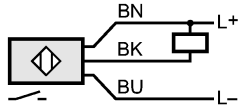
Wiring

Core colors

BK black

BN brown

BU blue



Remarks

Pack quantity

[piece]

1

ifm efector, inc. • 1100 Atwater Drive • Malvern • PA 19355 — We reserve the right to make technical alterations without prior notice. — US — I27004 — 06.03.2003
no longer available - archive entry