

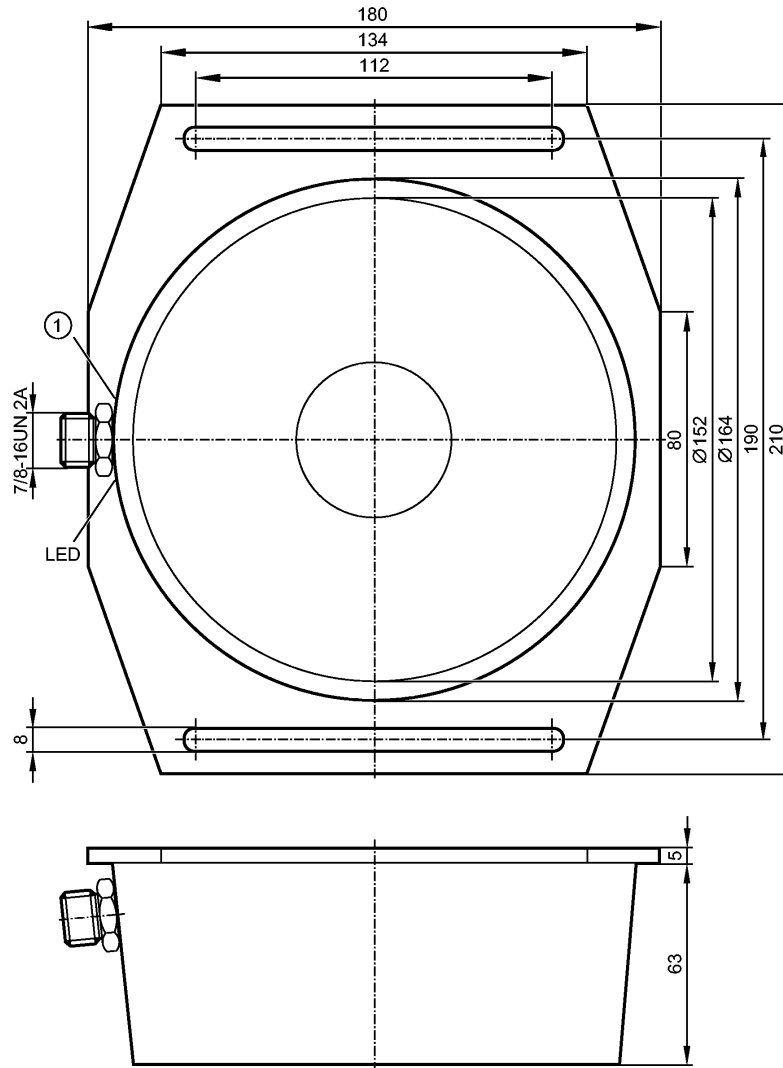
no longer available - archive entry

**efector100**

I22007



Inductive sensors



1: potentiometer



Product characteristics

Inductive sensor

Plastic housing  $\varnothing$  164 mm

Quick disconnect

with mounting plate

Sensing range 120 mm; adjustable 30...120 mm; [nf] non-flush mountable

Electrical data

Electrical design

AC

Operating voltage [V]

90...250 AC (47...63 Hz)

Protection class

I

Reverse polarity protection

no

Outputs

Output function

normally closed

Voltage drop [V]

< 11

Minimum load current [mA]

15

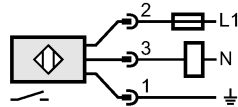
Leakage current [mA]

< 6

**I22007 - Inductive sensor - eclass: 27270101 / 27-27-01-01**

<b>Current rating</b>		
- Current rating (continuous)	[mA]	200; 250 (...50 °C)
- Current rating (peak)	[mA]	$\hat{i}$ : 1.5 A (10 ms / 0.5 Hz)
Short-circuit proof		no
Overload protection		no
Switching frequency	[Hz]	3
Monitoring range		
Sensing range	[mm]	120, adjustable 30...120 mm
Real sensing range (Sr)	[mm]	120 ± 10 %
Accuracy / deviations		
Correction factors		mild steel = 1 / stainless steel approx. 0.7 / brass approx. 0.4 / aluminium approx. 0.3 / copper approx. 0.2
Hysteresis	[% of Sr]	< 15
Switch-point drift	[% of Sr]	-15...15
Environment		
Ambient temperature	[°C]	-20...70
Protection		IP 65
Tests / approvals		
EMC		EN 60947-5-2
Mechanical data		
Mounting		non-flush mountable
Housing materials		housing: PBT; Mounting plate: aluminum anodized
Displays / operating elements		
Output status indication	LED	yellow
Electrical connection		
Connection		7/8" connector

**Wiring**



Note: miniature fuse to IEC60127-2 sheet 1, ≤ 2 A (fast acting)

Remarks	
Remarks	Recommendation: check the unit for reliable function after a short circuit.
Pack quantity	[piece] 1