



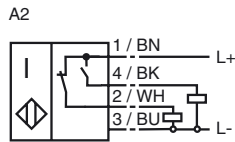
**Model Number**

FT3 K 2045/33 K

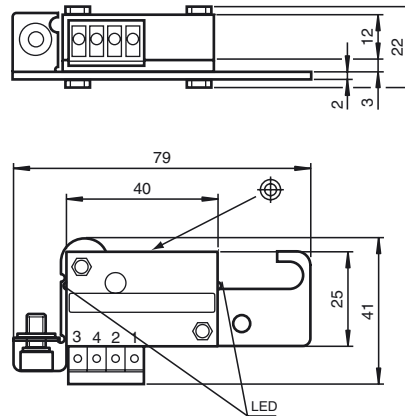
**Features**

- Comfort series
- 3 mm embeddable

**Connection**



**Dimensions**



**Technical Data**

**General specifications**

Switching element function	PNP	NO/NC
Rated operating distance	$s_n$	3 mm
Installation		embeddable
Output polarity		DC

**Nominal ratings**

Operating voltage	$U_B$	10 ... 30 V
Switching frequency	$f$	0 ... 600 Hz
Hysteresis	$H$	3 ... 15 typ. 5 %
Reverse polarity protected		reverse polarity protected
Short-circuit protection		pulsing
Operating current	$I_L$	0 ... 400 mA
No-load supply current	$I_0$	15 mA
Indication of the switching state		LED, yellow

**Ambient conditions**

Ambient temperature	-25 ... 70 °C (-13 ... 158 °F)
---------------------	--------------------------------

**Mechanical specifications**

Connection type	Cage tension spring terminals
Core cross-section	$\leq 1.5 \text{ mm}^2$
Housing material	plastic
Sensing face	plastic
Protection degree	IP67

**Compliance with standards and directives**

Standard conformity	
Standards	EN 60947-5-2:2007 IEC 60947-5-2:2007

**Approvals and certificates**

CCC approval	Products with a maximum operating voltage of $\leq 36 \text{ V}$ do not bear a CCC marking because they do not require approval.
--------------	--

Release date: 2010-11-16 13:53 Date of issue: 2010-11-17 409533\_ENG.xml