



**Model Number**

**FE-BNSRA5M-3**

Glass fiber optic - diffuse

**Features**

- Cylindrical sensing head
- Side view / periscope optics
- Flexible PVC sheathing

**Series**

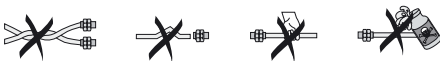
**Fiber optic amplifiers**

Device series MP, MHP, Series 61

**Description**

**Attention:**

Fiber optics must not be twisted or kinked. Excessive tensile loads will lead to destruction. Contact with petrol or organic solvents must be prevented.



**Technical data**

**General specifications**

Sensor range	MHP-FR: 32 mm MHP-F: 62 mm RL(K)61-LL: 155 mm MPG6HD: 170 mm
Fiber optic length	3 ft (.914 m)
End piece	Optical axis: Side view / periscope Type: Cylindrical / smooth barrel
Bending radius	min. 19 mm
Fiber bundle diameter	2.3 mm


**Ambient conditions**

Ambient temperature	-40 ... 120 °C (-40 ... 248 °F)
---------------------	---------------------------------

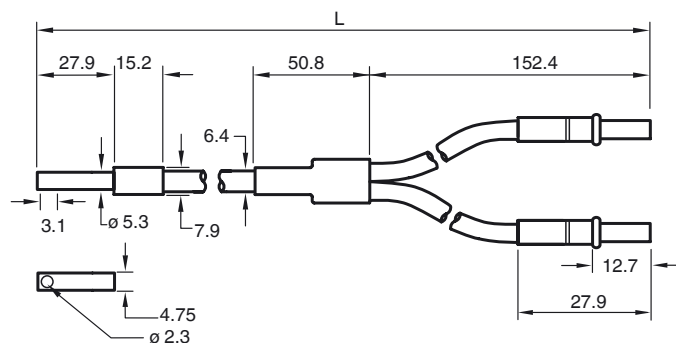
**Mechanical specifications**

<b>Material</b>	
Optical face	glass
Sheathing	PVC
Core	glass
End piece	Stainless steel 1.4305 / AISI 303
Adapter	Stainless steel, 4.7 mm diameter

**Installation note**

	<p>If the sensor detects an object after installing the fiber optic, when no object is present (yellow led is on or blinking), reduce the sensitivity adjustment.</p>
---	---

**Dimensions**



Release date: 2013-11-18 17:32 Date of issue: 2013-11-18 905139\_eng.xml

Refer to "General Notes Relating to Pepperl+Fuchs Product Information".

Pepperl+Fuchs Group  
www.pepperl-fuchs.com

USA: +1 330 486 0001  
fa-info@us.pepperl-fuchs.com

Germany: +49 621 776 4411  
fa-info@de.pepperl-fuchs.com

Singapore: +65 6779 9091  
fa-info@sg.pepperl-fuchs.com