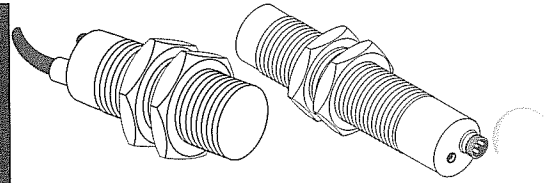


30mm

Inductive Tubular Threaded Barrel

AC



Proximity Sensors

10mm (Shielded) and 15mm (Unshielded) Sensing Ranges

| Connector Type | Circuit Description | Housing Material | Housing Length | Shielded Model No. | Unshielded Model No. | Maximum Load Current | Leakage Current | Voltage Drop* | Maximum Switching Frequency | | Short Circuit Protected |
|---------------------------|---------------------|------------------|----------------|--------------------|----------------------|----------------------|-----------------|---------------|-----------------------------|------------|-------------------------|
| | | | | | | | | | Shielded | Unshielded | |
| AC 20-250V Metal | | | | | | | | | | | |
| 3-pin Micro | 2W, AC, NO | Metal | 78mm | ET120-42420 | — | 400mA | <1.5mA | <8 VAC | 25Hz | 25Hz | no |
| 3-pin Micro | 2W, AC, NO | Metal | 90mm | — | ET120-43420 | 400mA | <1.5mA | <8 VAC | 25Hz | 25Hz | no |
| 3-pin Mini | 2W, AC, NO | Metal | 82mm | ET120-42400 | — | 400mA | <1.5mA | <8 VAC | 25Hz | 25Hz | no |
| 3-pin Mini | 2W, AC, NO | Metal | 94mm | — | ET120-43400 | 400mA | <1.5mA | <8 VAC | 25Hz | 25Hz | no |
| 6.6' Cable | 2W, AC, NO | Metal | 50mm | ET320-62410 | ET320-63410 | 400mA | <1.5mA | <8 VAC | 25Hz | 25Hz | no |
| 6.6' Cable | 2W, AC, NO | Metal | 80mm | ET120-42410 | ET120-43410 | 400mA | <1.5mA | <8 VAC | 25Hz | 25Hz | no |
| AC 20-250V Plastic | | | | | | | | | | | |
| 6.6' Cable | 2W, AC, NO | Plastic | 80mm | ET220-42410 | ET220-43410 | 400mA | <1.5mA | <8 VAC | 25Hz | 25Hz | no |
| 6.6' Cable | 2W, AC, NO | Plastic | 50mm | ET320-72410 | ET320-73410 | 400mA | <1.5mA | <8 VAC | 25Hz | 25Hz | no |

* Across conducting sensor

► Consult factory for normally closed model availability.



Accessories: see pages 84-87.

Common Sensor Characteristics

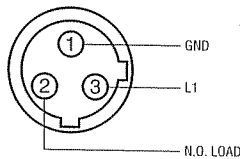
| 30mm DIAMETER AC SENSORS | |
|---|---|
| Shielded Sensing Range ($\pm 10\%$) | 10mm |
| Unshielded Sensing Range ($\pm 10\%$) | 15mm |
| Standard Target (mm) (mild steel) | 30x30x1 (Shielded) 45x45x1 (Unshielded) |
| Repeatability | $\pm 2\%$ |
| Hysteresis | 3-8% (typ.); 15% (max.) |
| Range Drift over Temperature | $\pm 15\%$ |
| Operating Temperature Range | -13°F to +158°F |
| Reverse Polarity Protected | yes |
| NEMA Enclosure Type | |
| Metal | 1, 3, 4, 6, 13 |
| Plastic | 1, 3, 4, 4x, 6, 13 |
| LED Indicator | red = target |
| Metal Housings | Chrome Plated Brass |
| Plastic Housings | Ultradur® |
| Cable Type | PVC |
| Shipping Weight | Connector model: 5 oz. Cable model: 10 oz. |

Circuit Drawings

MICRO CONNECTOR MODELS

Male view shown

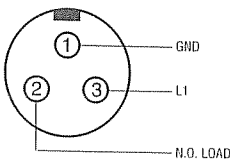
2 Wire AC N.O.



MINI CONNECTOR MODELS

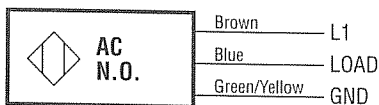
Male view shown

2 Wire AC N.O.



CABLE MODELS

2 Wire AC N.O.

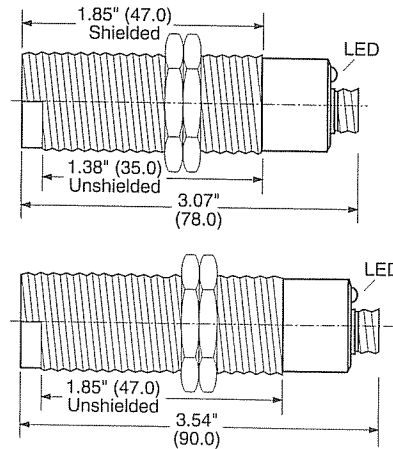


Dimensional Drawings

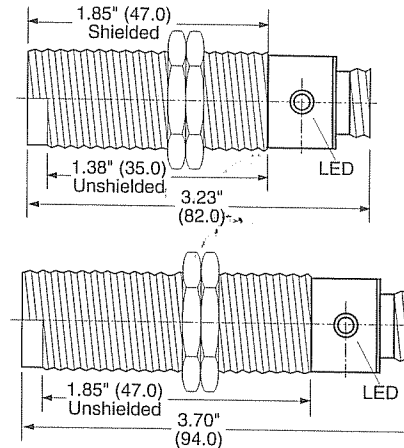
30mm-AC

Body threads = M30x1.5

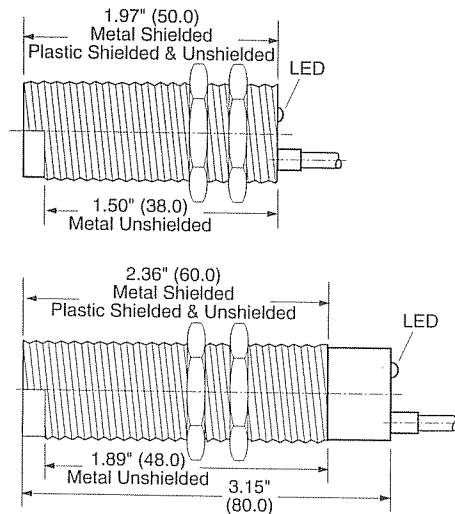
MICRO CONNECTOR MODELS



MINI CONNECTOR MODELS



CABLE MODELS



NAMCO

Namco Controls Corporation
5335 Avion Park Drive, Highland Heights, OH 44143
(440) 460-1360 • FAX (440) 460-3800

For technical assistance, call 1-800-NAMTECH