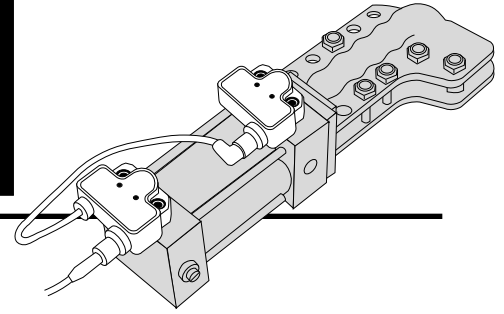


# Tandem Low Profile - Power Clamp Sensor Kit



- Cabling is Reduced 50%
- Cabling is Industry-Standard Micro Style
- Outputs Remain Independent - Power and Ground Connectors are Factory Interconnected
- Cable Terminations Reduced for Installer
- Cable Bundle Density Reduced
- Reduces Junction Box Size
- Reduces Fitting Size
- Reduces Panel Size

The new Namco LP2™ Tandem Low Profile Power Clamp Sensor Kit is an adaptation of our successful Low Profile Cylindicator® sensor.

This new version reduces the cabling necessary by 50% when two sensors are required on an air or hydraulic cylinder.

The system consists of a new Low Profile Cylindicator sensor specially constructed as a common wiring point. Cabling is brought to the Master unit, then the built-in cable from the Master unit is connected to a standard Low Profile Cylindicator sensor. This eliminates 50% of the wiring density and labor required as compared to "conventional" practices.

The LP2™ sensor kit is the most cost effective, highest reliability solution for reducing sensor wiring complexity and cost in power clamp applications.

## Applications:

Patented Weld Field Immune circuitry permits application within one inch of resistance welder tips carrying 20,000 Amperes. This system is ideal for end-of-stroke detection on hydraulic or pneumatic clamping cylinders in automotive assembly, metal fabricating, and general automated welding applications.

Cylindicator is a registered trademark of Namco Controls Corporation.

LP2 is a trademark of Namco Controls Corporation.

## Ordering Information

Description	Part No.	Part No.
	2-wire AC/DC	3-wire DC
Standard LP2 Kit, 1.025" Probe	EE270-20420	EE280-20446
Kit includes: 1 Master Low Profile Cylindicator® Sensor with "pigtail" interconnect 1 Standard Low Profile Cylindicator® Sensor	EE270-20421 EE230-20420	EE280-20447 EE210-20444



## Specifications

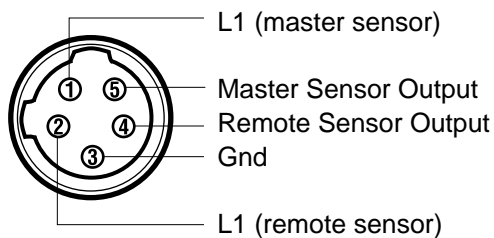
LP2 POWER CLAMP SENSOR KIT		
Supply Voltage	10-30V DC	20-230V AC/DC
Voltage drop	≤2.5V @ 200mA ≤2.0V@≤100mA	≤10V
Max. Load Current @ 25°C	200mA	500mA
Inrush Current (rms 1Hz)	—	3A
Leakage Current	10µA	1.7mA
Response Time	30ms	
Power-up Time	35ms to 45ms	
Max. Switching Frequency	15 Hz	
Ambient Temp. Range	-20°C to 70°C	
Max. Continuous Pressure	1500 PSI	

	LED Functions			
	10-30V DC		20-230V AC/DC	
	Green	Amber	Red	Green
Power Off	Off	Off	Off	Off
Power On Load De-energized	On	Off	On	Off
Power On Load Energized	On	On	Off	On
*SCP Mode Activated	Both Flashing		Both Flashing	

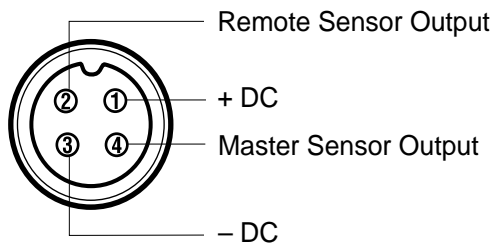
\* Short Circuit Protection: If the sensor is shorted, the sensor's Short Circuit Protection (SCP) will be activated. When this occurs, both LED's will flash and the sensor will limit current flow to about 2.0mA.

## Wiring Diagram

### 2WAC/DC

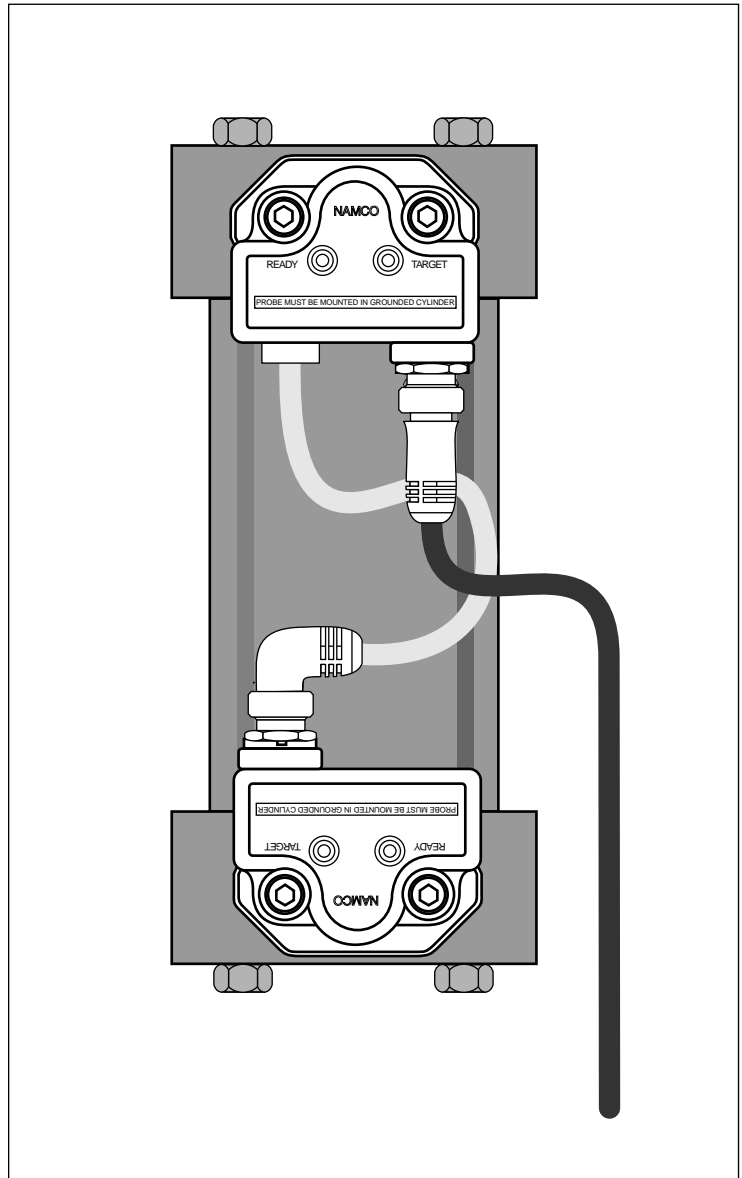


### 3WDC



## Tandem Low Profile - Power Clamp Sensor Kit

# EE270-2



Proximity Sensors

# NAMCO

Namco Controls Corporation  
Mayfield Village, OH 44143

(440) 460-1360 • FAX (440) 460-3800 • [namcocontrols.com](http://namcocontrols.com)

For technical assistance, call 1-800-NAMTECH