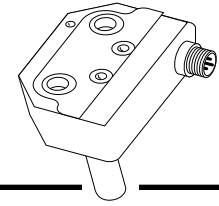


**Weld
Field
Immune**

**Low-Profile
Cylindicator® Sensors**

**DC
AC/DC**



Proximity Sensors

- Weld Field and Electrical Noise Immunity
- 1500 PSI Continuous Pressure Rating
- Standard Latching Short Circuit Protection (SCP), Non-Latching Available in DC Models
- Predictable, Consistent Electrical Performance
- 100% Tested and Burned-in
- Purpose-Designed Housings and Materials

For over 25 years, the Cylindicator sensor has been the standard for industrial applications that require end-of-stroke indication on Hydraulic and Pneumatic Cylinders. Available in several styles, they are the standard for many OEM cylinder manufacturers. All Cylindicators are completely PLC compatible with many output configurations, including a UL Listed Intrinsically Safe version (see EE931 series for details).

	3-Pin Micro Connector 2-W, 20-230V, AC/DC, N.O.		4-Pin Euro Connector 3-W, 10-30V, DC Sourcing (PNP), N.O.	
	Latching Short-Circuit Protection (SCP)		Non-Latching SCP	
	1.7mA Leakage Current	4.5mA Leakage Current	10µA Leakage Current	
Probe Length	EE230-	EE260-	EE210-	EE210-
0.915"	EE230-28820	EE260-28820	EE210-28844	EE210-28804
0.950"	EE230-20120	EE260-20120	EE210-20144	EE210-20104
1.025"	EE230-20420	EE260-20420	EE210-20444	EE210-20404
1.130"	EE230-20320	EE260-20320	EE210-20344	EE210-20304
1.250"	EE230-21320	EE260-21320	EE210-21344	EE210-21304
1.350"	EE230-21720	EE260-21720	EE210-21744	EE210-21704
2.062"	EE230-28720	EE260-28720	EE210-28744	EE210-28704
2.775"	EE230-27420	EE260-27420	EE210-27444	EE210-27404
2.875"	EE230-27820	EE260-27820	EE210-27844	EE210-27804
3.775"	EE230-29020	EE260-29020	EE210-29044	EE210-29004
4.560"	EE230-28620	EE260-28620	EE210-28644	EE210-28604



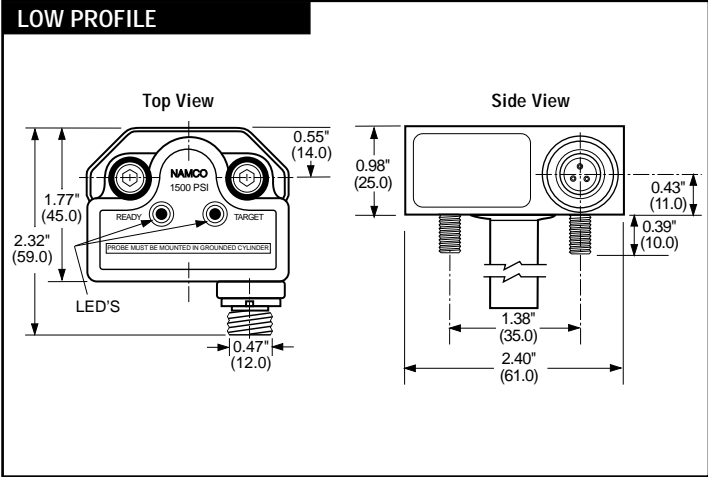
► Consult factory for Normally Closed, DC Sinking, and Cable model availability.

Common Sensor Characteristics

CYLINDRICATOR® SENSORS		
	AC/DC	DC
Nominal Sensing Range (±10%)	0.080"	
Current Consumption	1.7 or 4.5mA	10µA
Voltage Drop	≈10 VAC	2.0V@100mA
Temperature Drift (Max.)	±10%	
Short Circuit Protection	yes	
Reverse Polarity Protected	yes	
Ambient Temperature Range	-4°F to +158°F	
Maximum Switching Frequency	16Hz	
Hysteresis	3-10%	
Repeatability	<±1.25%	
Designed to meet NEMA Enclosure Type	4, 6, 12 & 13	
Load Current	5mA to 500mA	200mA max.
LED Indicator	red = power green = target	green = power amber = target
Shipping Weight	12 oz.	

See Cylindricator® Sensor Design Guide Section for details.

Dimensional Drawings



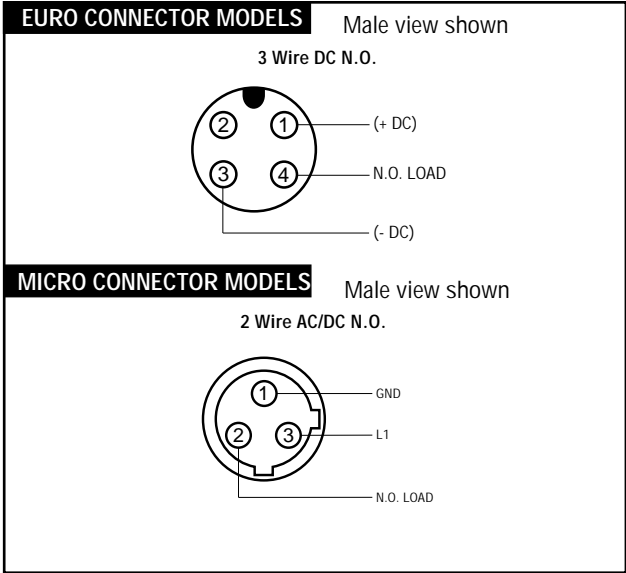
Proximity Sensors

LED Functions

	10-30V DC		20-230V AC/DC	
	Green	Amber	Red	Green
Power Off	Off	Off	Off	Off
Power On Load De-energized	On	Off	On	Off
Power On Load Energized	On	On	Off	On
*SCP Mode Activated	Both Flashing		Both Flashing	

*Short Circuit Protection: If the sensor is shorted, the sensor's Short Circuit Protection (SCP) will be activated. When this occurs, both LEDs will flash and the sensor will limit current flow to about 2.0mA.

Circuit Drawings



Namco Controls Corporation
 Mayfield Village, OH 44143
 (440) 460-1360 • FAX (440) 460-3800 • namcocontrols.com

For technical assistance, call 1-800-NAMTECH