



R360/CABLE/1.2M/SEALED

Control systems for mobile vehicles

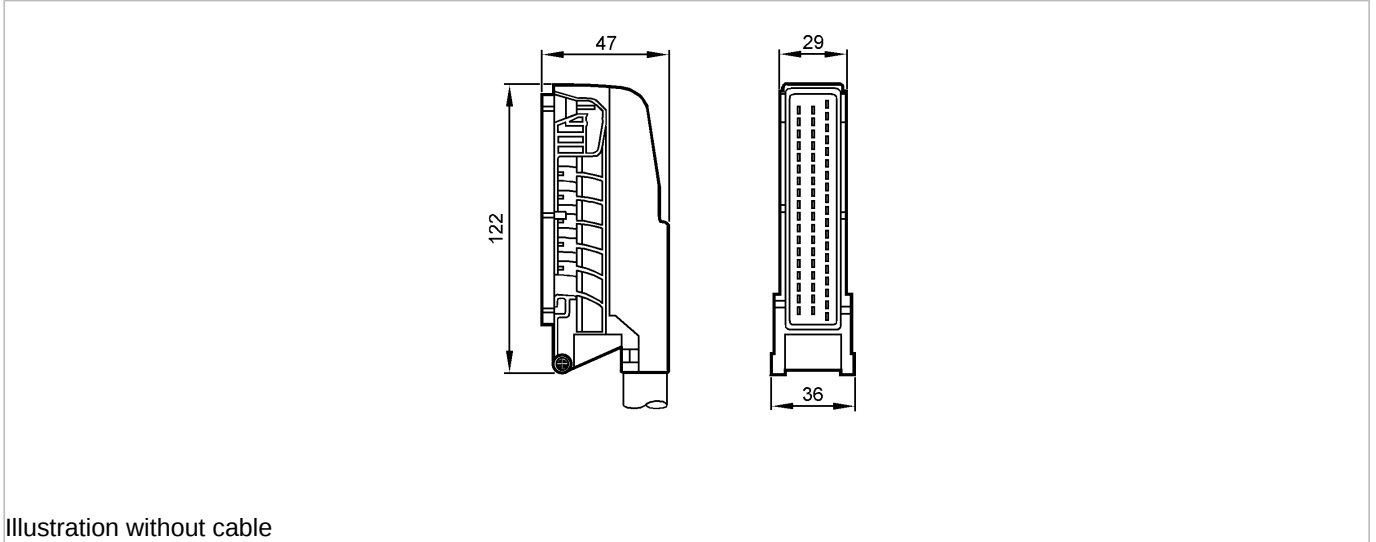


Illustration without cable
Product characteristics

Datasheet in PDF format: EC2084.pdf

| | |
|--------------------------------------|-----------|
| Cable with connector | |
| AMP 55-pole | |
| wired | |
| Cable length 1.2 m | |
| Cores sealed individually | |
| Core cross-section 1 mm ² | |
| Mechanical data | |
| Weight | [kg] 1.01 |
| Remarks | |
| Pack quantity | [piece] 1 |