

Article can only be ordered once per customer

**ecomat100**

EC2074



R360/STARTER-SET/SMART

Control systems for mobile vehicles

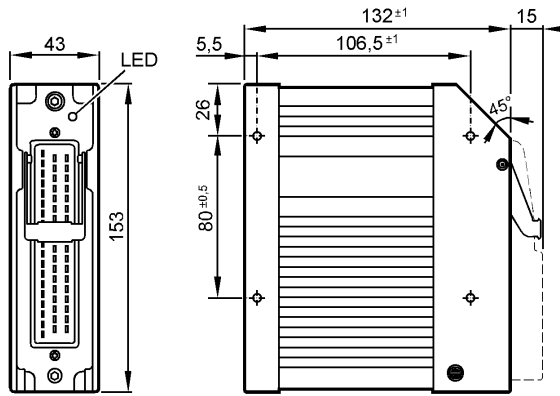


Figure shows controller CR25xx

Product characteristics

Datasheet in PDF format: EC2074.pdf

Starter set ecomat R 360

Smart Controller

consisting of:

controller CR2500

I/O simulator box incl. connection cable and connectors

plug-in power supply

DVD with programming software CODESYS

project examples and manuals

Mechanical data

Weight	[kg]	4.24
--------	------	------

Remarks

Pack quantity	[piece]	1
---------------	---------	---

ifm efector, inc. • 1100 Atwater Drive • Malvern • PA 19355 — We reserve the right to make technical alterations without prior notice. — US — EC2074 — 24.07.2009

Article can only be ordered once per customer