

no longer available - archive entryreplaced by: EC2074

**ecomat100**  
EC2051



R360/STARTER-SET

Control systems for mobile vehicles

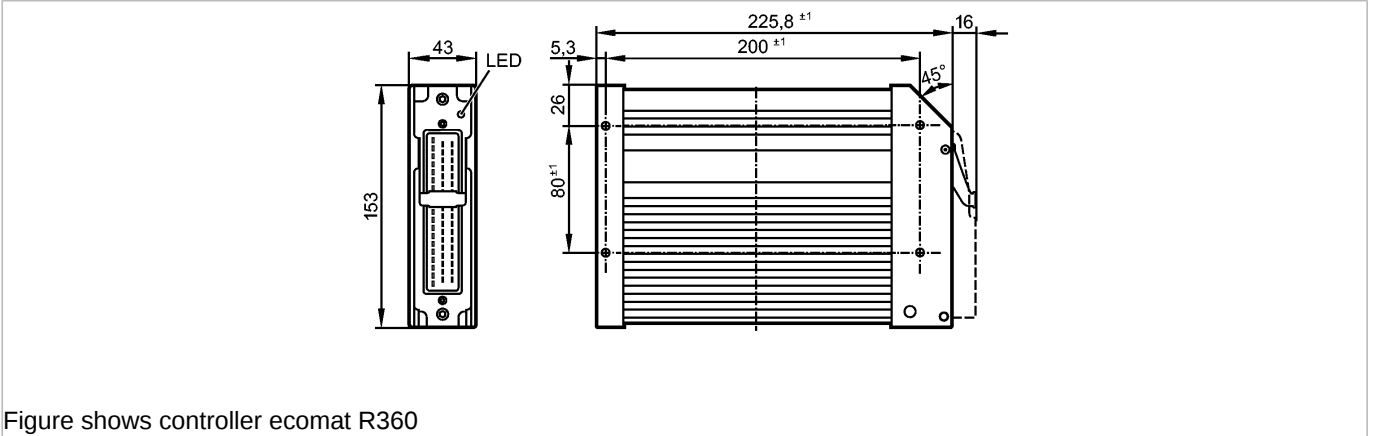


Figure shows controller ecomat R360  
Product characteristics

Datasheet in PDF format: [EC2051.pdf](#)

Starter set ecomat R 360

consisting of:

controller CR0501

I/O simulator box incl. connection cable and connectors

plug-in power supply

DVD with programming software CODESYS

project examples and manuals

Mechanical data

|        |      |      |
|--------|------|------|
| Weight | [kg] | 5.37 |
|--------|------|------|

Remarks

|               |         |   |
|---------------|---------|---|
| Pack quantity | [piece] | 1 |
|---------------|---------|---|

ifm efector, inc. • 1100 Atwater Drive • Malvern • PA 19355 — We reserve the right to make technical alterations without prior notice. — US — EC2051 — 06.03.2003  
no longer available - archive entryreplaced by: EC2074