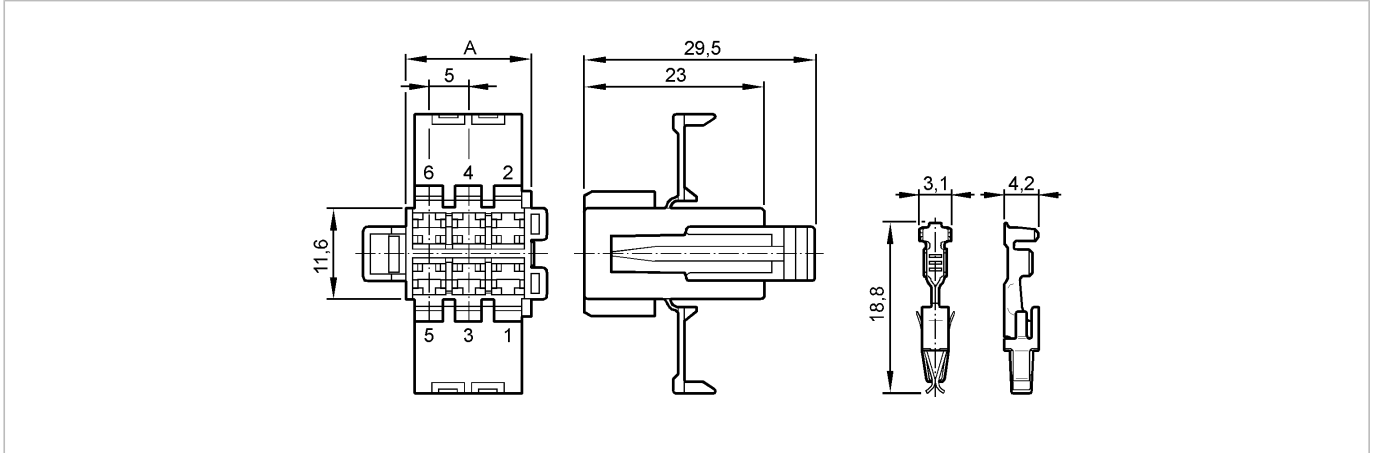




R360/PLUG/6PIN

Control systems for mobile vehicles



Product characteristics

Datasheet in PDF format: [EC2017.pdf](#)

Connector

AMP 6-pole

wireable

consisting of:

AMP Crimp housing

1 x 6 pins

incl. Crimp contacts (Junior Power Timer)

Mechanical data

Weight	[kg]	0.008
--------	------	-------

Remarks

Pack quantity	[piece]	1
---------------	---------	---