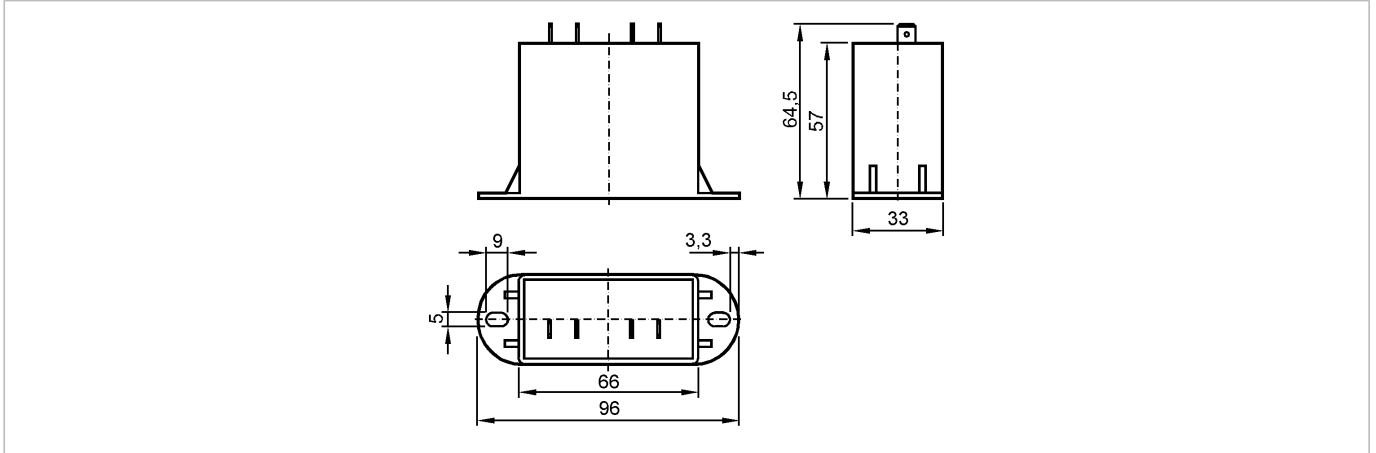




R360/LOAD-DUMP-MODULE/12VDC

Control systems for mobile vehicles



Product characteristics

Datasheet in PDF format: [EC2015.pdf](#)

Load-Dump-Module

12 V DC

Mechanical data

Weight [kg] 0.194

Remarks

Pack quantity [piece] 1