



R360/PLUG

Control systems for mobile vehicles

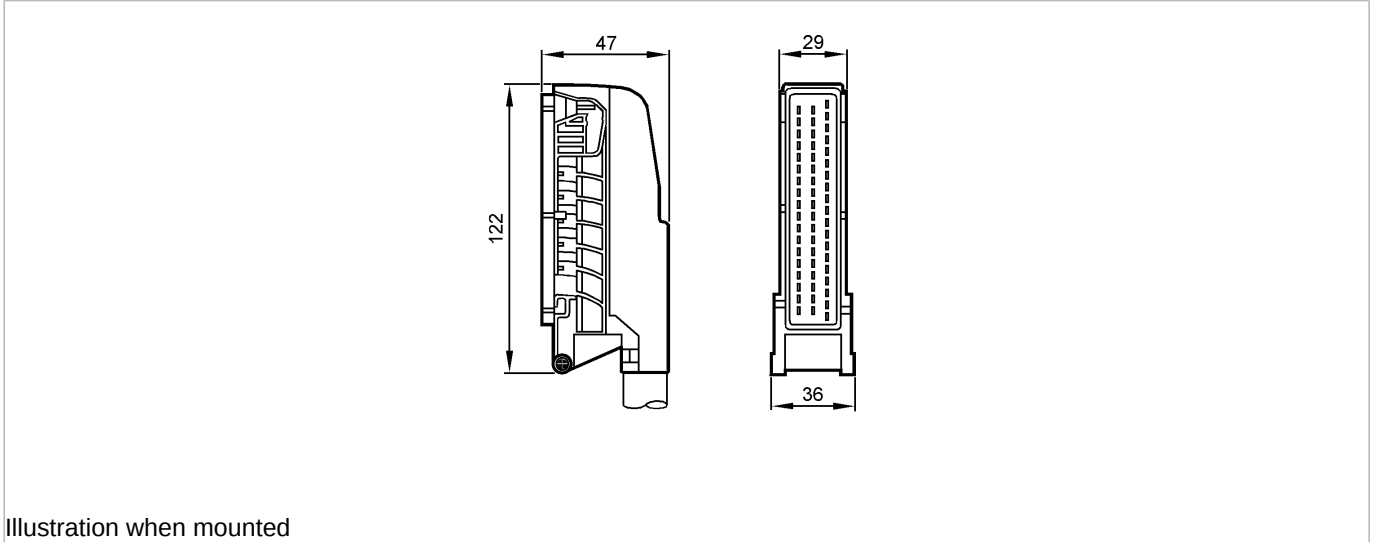


Illustration when mounted

Product characteristics

Datasheet in PDF format: [EC2013.pdf](#)

Connector AMP 55-pole

wireable

with contacts (Junior Power Timer)

Mechanical data

Weight	[kg]	0.098
--------	------	-------

Remarks

Pack quantity	[piece]	1
---------------	---------	---