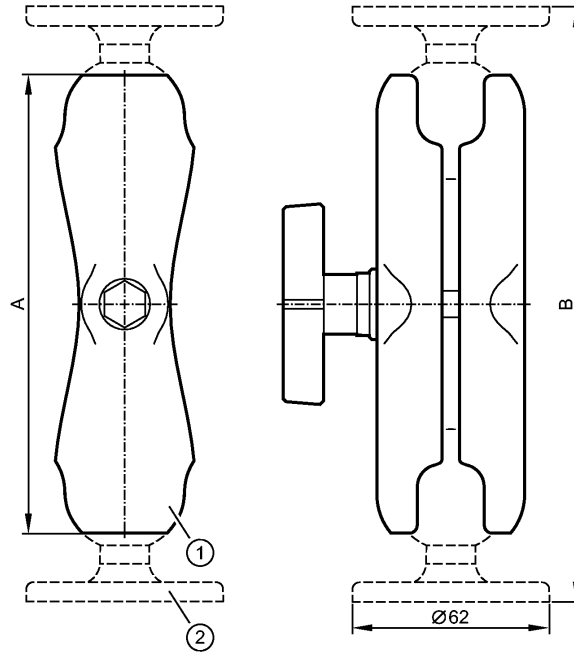




R360/PDM360/ARM LONG

Control systems for mobile vehicles



- 1: Mounting arm
- 2: Mounting plate (ball size 1.5")

Product characteristics

Datasheet in PDF format: [EC1413.pdf](#)

Mounting arm long	
RAM mount system	
Ball size 1.5" (C)	
e.g. for process and dialogue monitors PDM360 NG, PDM360, PDM360 compact or PDM360 smart	
for use as a desktop unit	
Mechanical data	
Weight	[kg] 0.737
Remarks	
Pack quantity	[piece] 1