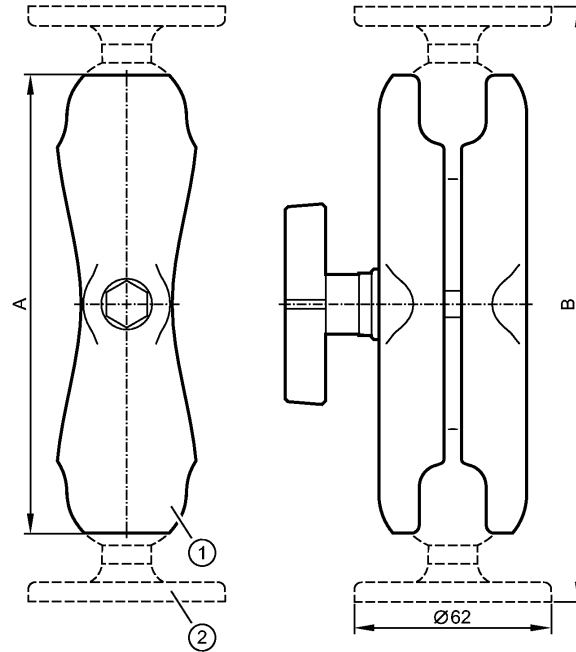




R360/PDM360/ARM SHORT

Control systems for mobile vehicles



- 1: Mounting arm  
2: Mounting plate (ball size 1.5")

Product characteristics

Datasheet in PDF format: [EC1411.pdf](#)

Mounting arm short

RAM mount system

Ball size 1.5" (C)

e.g. for process and dialogue monitors PDM360 NG, PDM360, PDM360 compact or PDM360 smart

for use as a desktop unit

Mechanical data

Weight [kg] 0.227

Remarks

Pack quantity [piece] 1