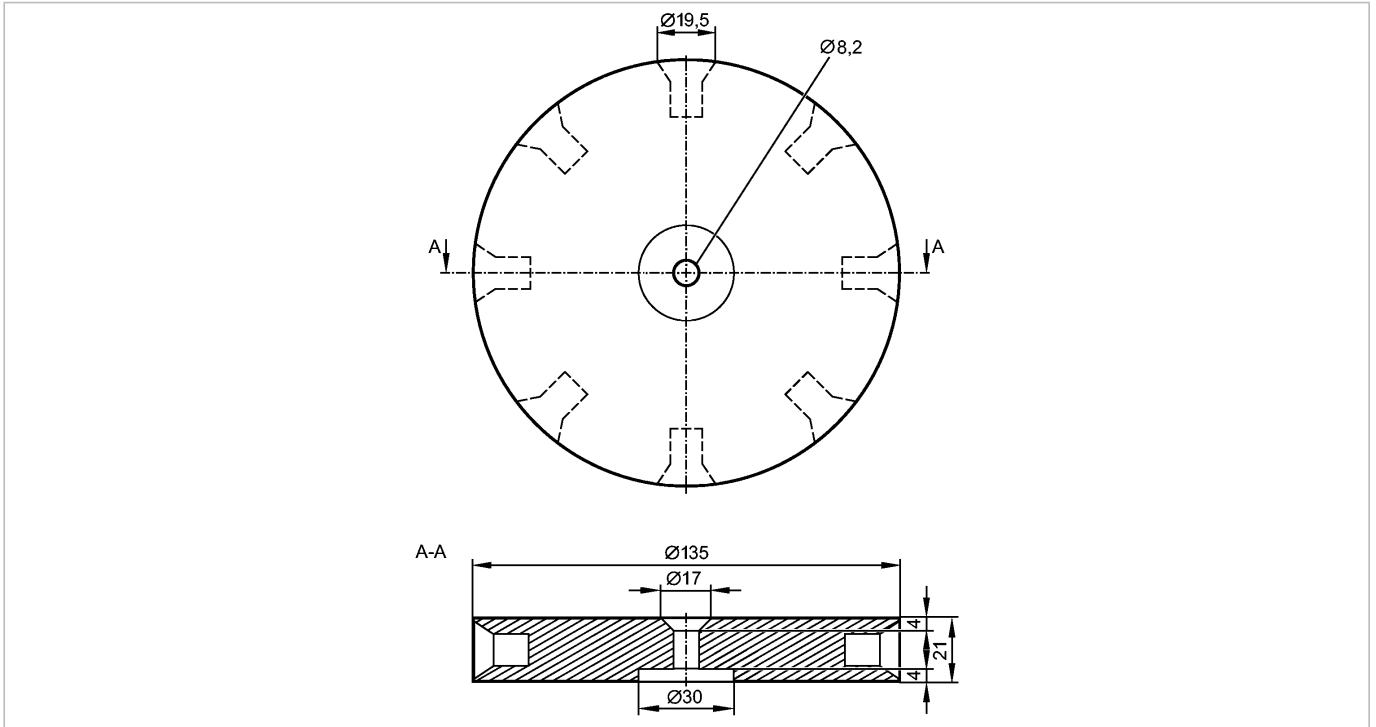


TARGET WHEEL/8.2mm

Accessories



Product characteristics

Target wheel

Plastic disk with 8 screws as "target"

Centered drill holes

Application

Application

for detection of very low rotational speeds and conversion to a higher pulse number per minute; with even mark-to-space ratio (important e.g. for the use of a frequency-to-current converter)

Mechanical data

Weight [kg]

0.42

Material

disc: Delrin; screws: CK 45

Remarks

Remarks

The screws can be removed to reduce the number of cams.

Pack quantity [piece]

1