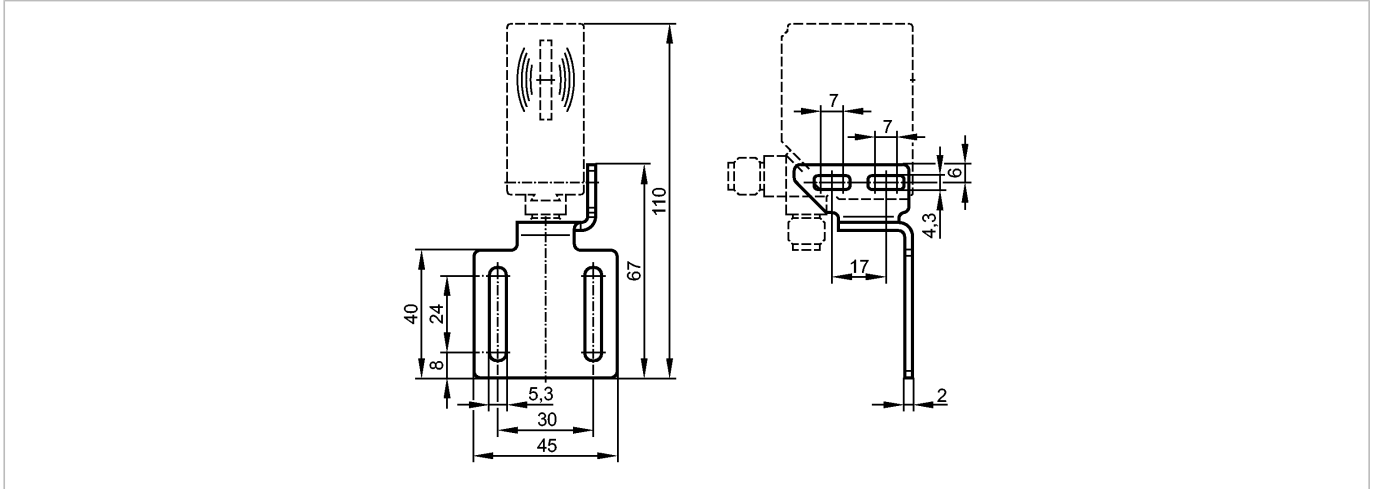




MOUNTING DEVICE/DTS125

Accessories



Product characteristics

Angle bracket

Mechanical data

Housing materials

stainless steel (304S15)

Weight

[kg]

0.05

Accessories

Accessories (included)

2 cap screw ISO 4762 M4x30; 2 flat washers; 2 lock nuts

Remarks

Pack quantity

[piece]

1