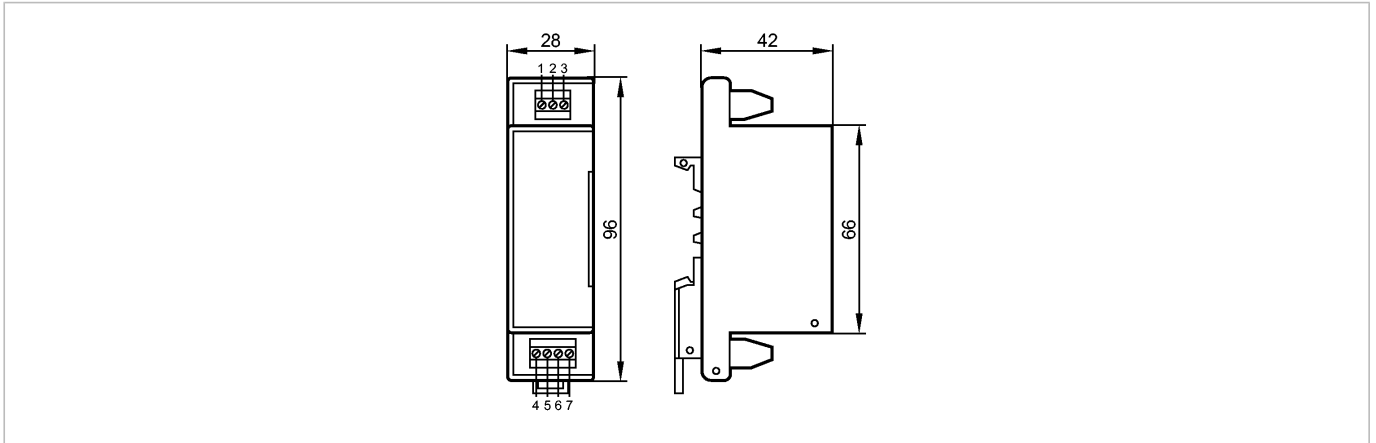


PULSE STRETCHER

Accessories



Product characteristics

Pulse stretcher

Terminals

Pulse length

IN (min): > 0.2 ms / OUT: 25 ms

Housing for DIN rail mounting

Application

Application

stretching of very short pulses to adapt them; for example; for slow plc inputs

Electrical data

Operating voltage [V]

24 DC  $\pm$  10 %

Current consumption [mA]

< 5

Inputs

Input

Input level: 24 V DC ( $\pm$  10 %)  
Input pulse (min.): 0.2 ms  
Time between two input pulses (min.): 28 ms

Input frequency (max.)

2.5 kHz

Outputs

Output

Output level: 24 V DC ( $\pm$  10 %)  
Output pulse: 25 ms ( $\pm$  10 %)  
Output current (max.): 10 mA

Environment

Ambient temperature [°C]

-20...70

Safety classification

MTTF [a]

965

Mechanical data

Housing materials

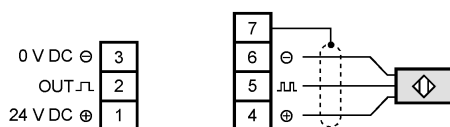
plastics

Weight [kg]

0.08

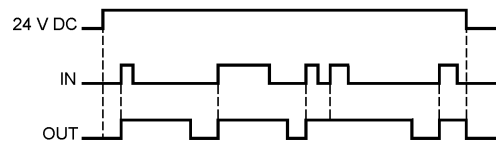
Electrical connection

Wiring



# E80110 - Pulse stretcher - eclass: 27279214 / 27-27-92-14

Pulse diagram



Remarks

Pack quantity [piece]

1