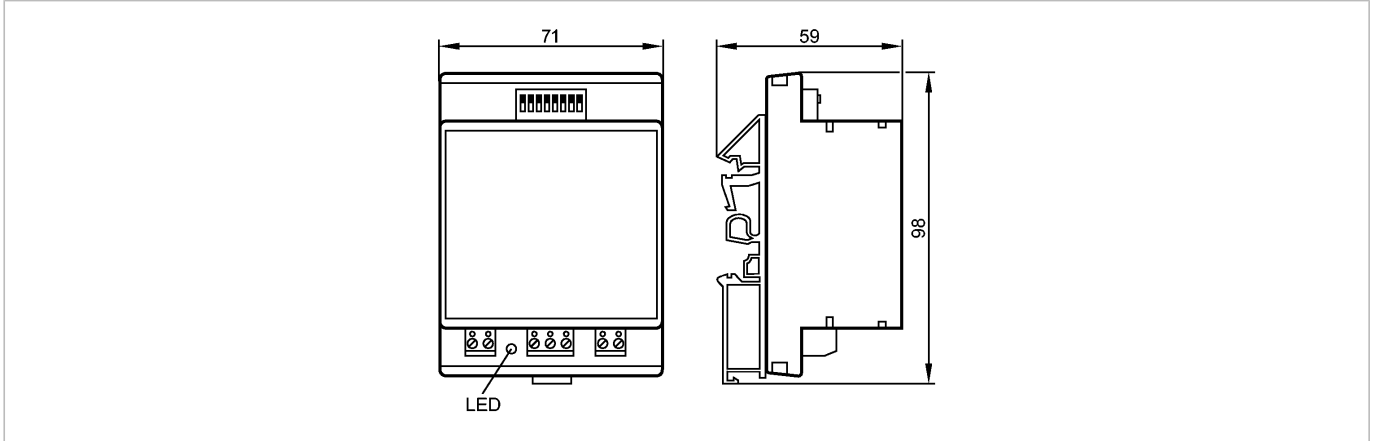




PULSE DIVIDER/1-255:1

Accessories



Product characteristics

Datasheet in PDF format: [E80102.pdf](#)

Pulse divider		
Division 0...255		
Electrical data		
Operating voltage	[V]	10...30 DC
Tests / approvals		
MTTF	[Years]	388
Mechanical data		
Weight	[kg]	0.164
Remarks		
Pack quantity	[piece]	1