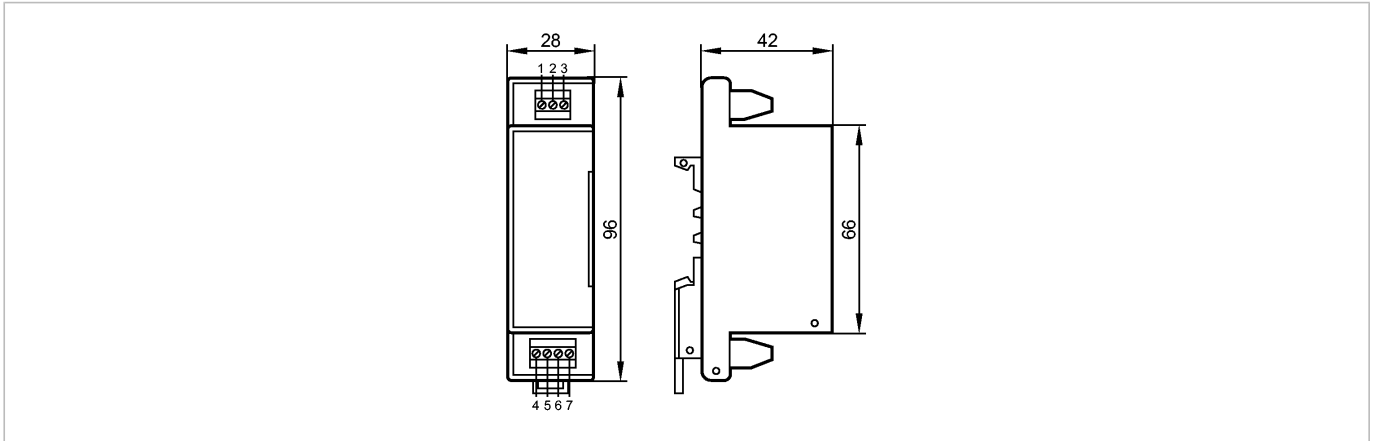


PULSE DIVIDER/10:1

Accessories



Product characteristics

Pulse divider

Terminals

Ratio input/output pulse 10:1

Housing for DIN rail mounting

Application

Application

adaptation of fast pulse sequences to the setting ranges of the control monitor or slow plc inputs; averaging

Electrical data

Operating voltage [V]

24 DC \pm 10 %

Current consumption [mA]

< 13

Inputs

Input level

typ. 24 V DC (\pm 10 %)

Input frequency (max.) [pulses/min]

150000 (2.5 kHz)

Outputs

Output level

typ. 24 V DC (\pm 10 %)

Environment

Ambient temperature [°C]

-20...70

Safety classification

MTTF [a]

2154

Mechanical data

Housing materials

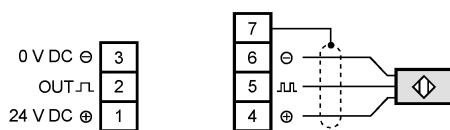
plastics

Weight [kg]

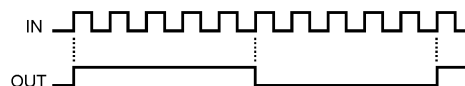
0.079

Electrical connection

Wiring



Pulse diagram



Remarks

Pack quantity

[piece]

1