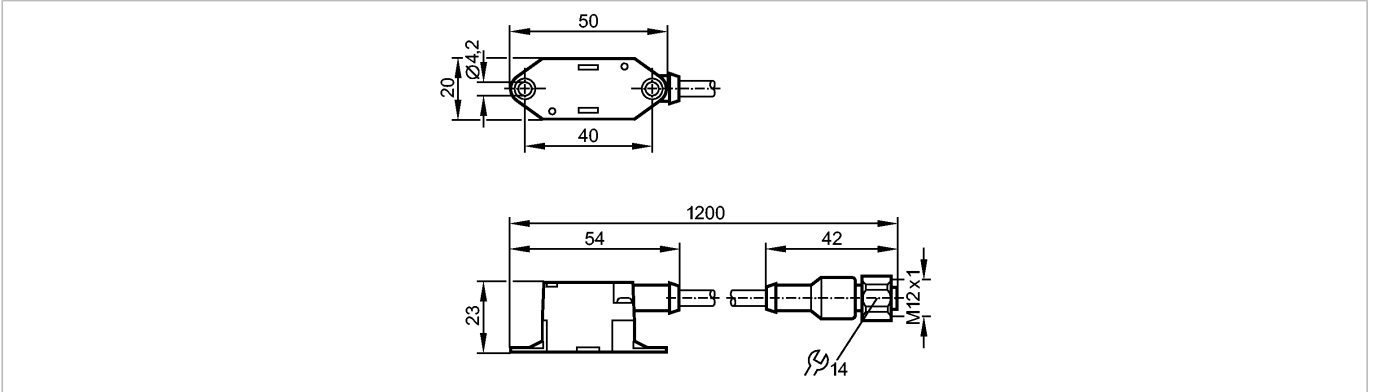




FC connector, M12, V2A, 1m

Accessories



Product characteristics

FC insulation displacement connector

Electrical data

Operating voltage [V] 26.5...31.6 DC (AS-i)

Environment

Ambient temperature [°C] -20...70

Protection

IP 67

Mechanical data

Design

straight / angled

Material nut

stainless steel (303S22)

Weight [kg]

0.086

Electrical connection

Material

PVC

Remarks

Remarks

FC insulation displacement connector with round cable and socket
(total length 1.2 m)

Pack quantity [piece]

1