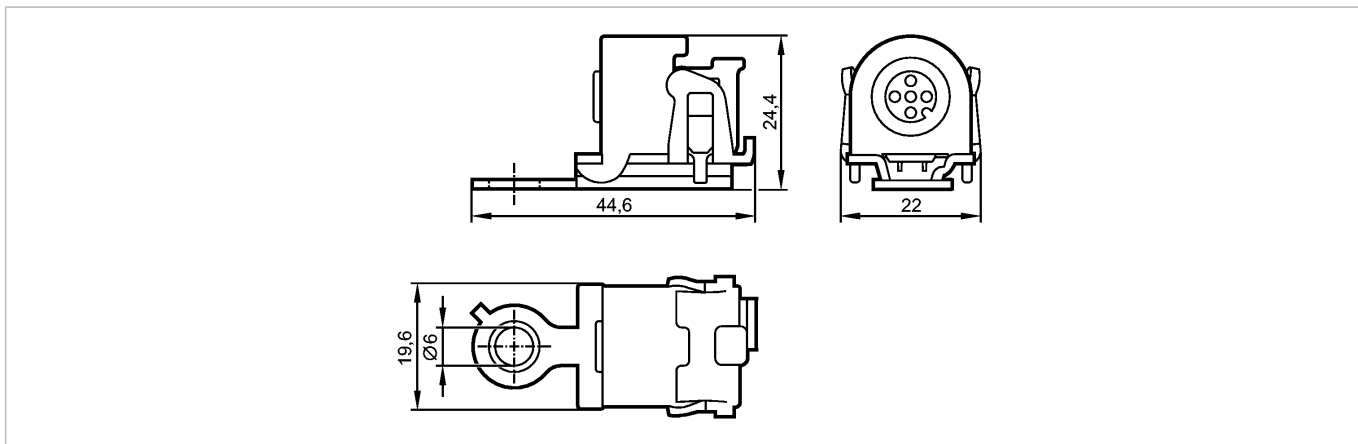


## E70454

FC Splitter ye ProcessL

Accessories



### Product characteristics

FC splitter

AS-i voltage via M12 socket

### Electrical data

Electrical design AS-i

Max. current load per module [mA] 2000

### Environment

Ambient temperature [°C] -30...80

Protection IP 68 / IP 69K

### Mechanical data

Housing materials Metal parts: stainless steel 316L / 1.4404; O-ring: EPDM; socket: PP GF30; blade seal: TPE

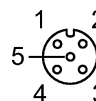
Weight [kg] 0.05

### Electrical connection

#### Wiring

1: AS-i +

3: AS-i -



### Accessories

Accessories (optional) torque wrench (E70390)

### Remarks

Pack quantity [piece] 1