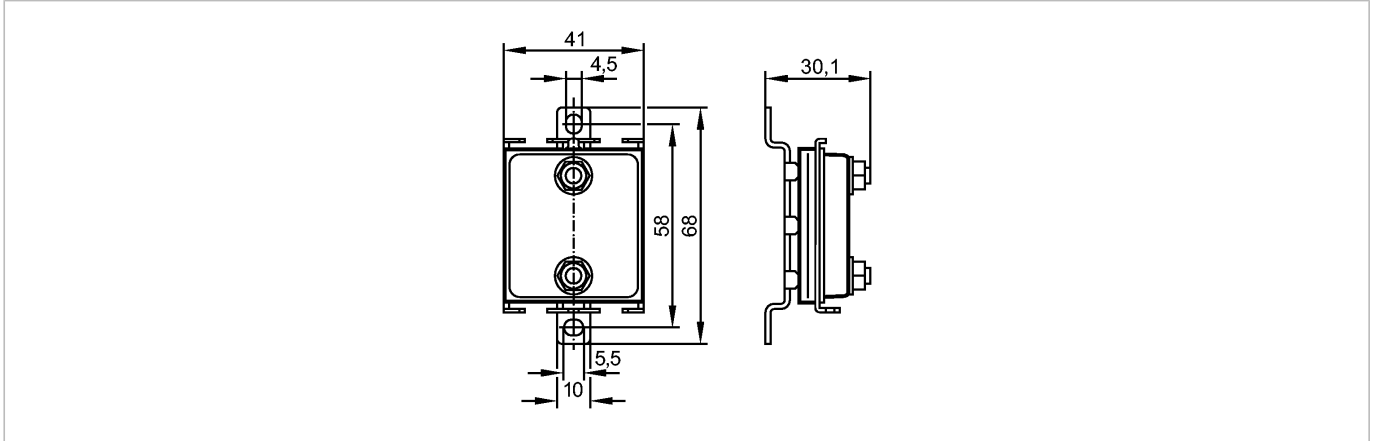




FCE Splitter ye/ye ProcessL

Accessories



Product characteristics

FC splitter

Electrical data

Electrical design

AS-i / 24 V

Current rating [A]

8

External voltage supply

according to PELV

Protection class

III

Environment

Ambient temperature [°C]

-30...80

Protection

IP 68 / IP 69K

Mechanical data

Housing materials

Metal parts: stainless steel 316L / 1.4404; Blanks: FPM (Viton); O-ring: EPDM

Weight [kg]

0.102

Accessories

Accessories (optional)

torque wrench (E70390)

Remarks

Remarks

Tightening torque of the screws: max. 2.5 Nm

Pack quantity [piece]

1