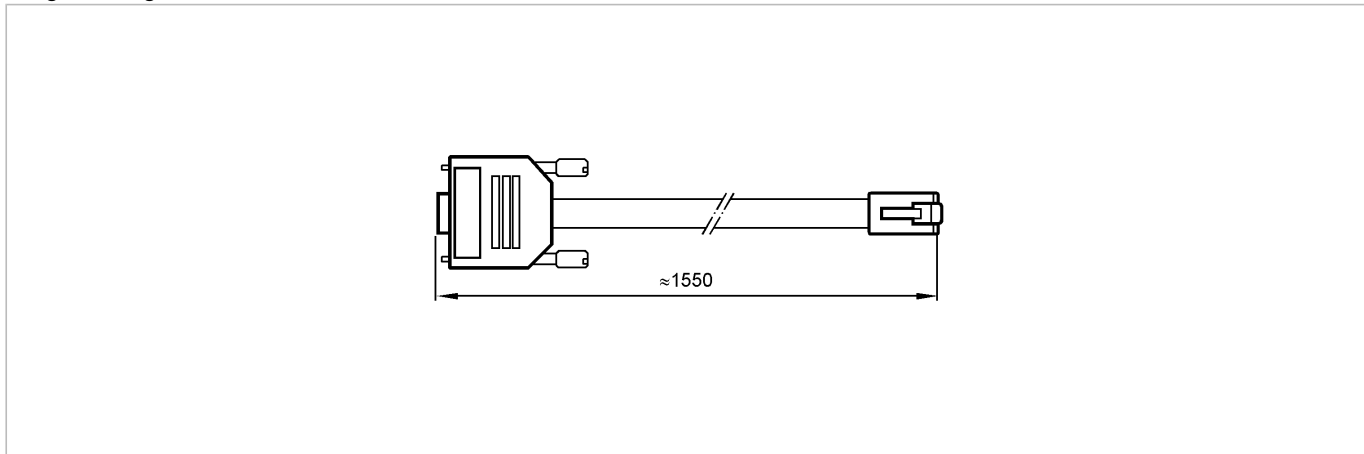




Programming cable f ControllerE

Accessories



Product characteristics

Programming cable for controller E

Western connector RJ11 6 poles / D-Sub socket 9 poles

Mechanical data

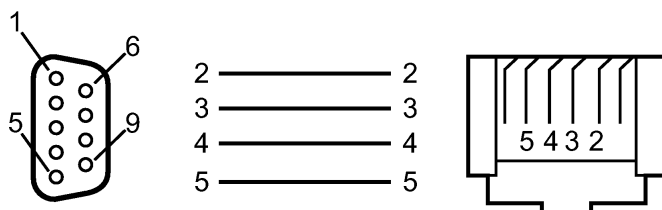
Weight	[kg]	0.072
--------	------	-------

Electrical connection

Connection	PVC cable / 1.55 m
------------	--------------------

Sheath color	grey
--------------	------

Wiring



Remarks

Pack quantity	[piece]	1
---------------	---------	---