

no longer available - archive entry

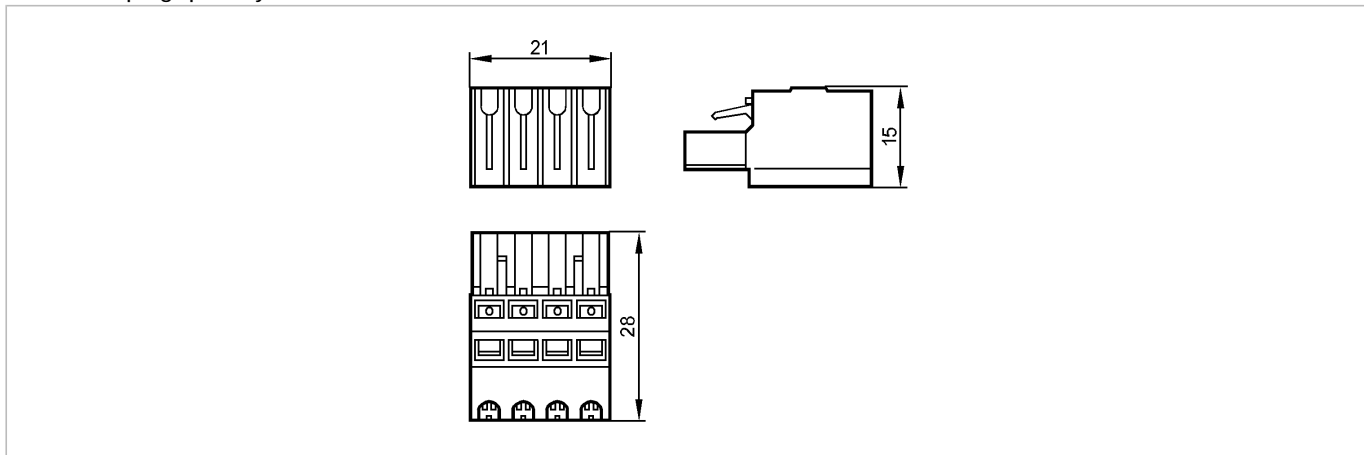
ecomat300

E70235



Combicon plug/quantity 100

Accessories



Product characteristics

Combicon connector

Electrical data

Contact resistance
(A=0.75 mm²) [mOhm]

1.5

Max. load current
(A = 0.75 mm²) [A]

9

Mechanical data

Design

with insulation displacement terminals 4-pole (0.35...0.75 mm²)

Housing materials

current carrying parts: copper alloy tin-plated

Weight [kg]

0.745

Remarks

Pack quantity [piece]

100

ifm efector, inc. • 1100 Atwater Drive • Malvern • PA 19355 — We reserve the right to make technical alterations without prior notice. — US — E70235 — 22.08.2012

no longer available - archive entry