

no longer available - archive entryAlternative article: E70588

When selecting an alternative article and accessories please note that technical data may differ!

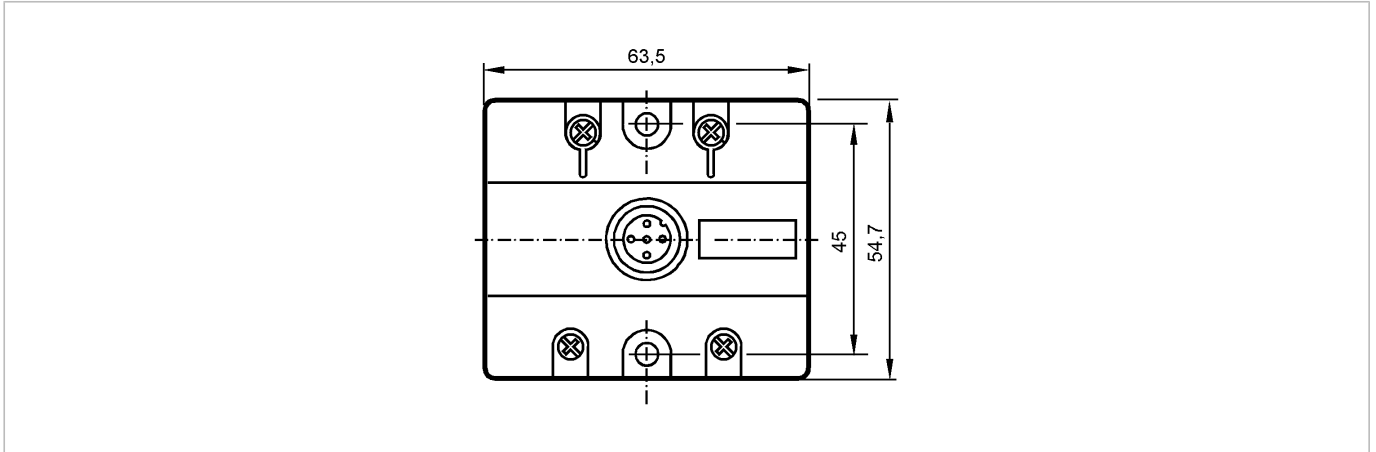
ecomat300

E70188



Tap AS-i/24V M12 4A

Accessories



Product characteristics

PAAS M12

Sockets M12 x 1

AS-i and external voltage via M12 socket

Electrical data

Electrical design

AS-i / 24 V

Operating voltage [V]

26.5...31.6 DC (AS-i) / 24 DC

Max. current load per module [mA]

4000

Environment

Ambient temperature [°C]

-25...75

Protection

IP 65

Mechanical data

Housing materials

PA 6.6; socket housing: stainless steel 316L / 1.4404; screws: stainless steel 316L / 1.4404; O-Ring (socket): NBR

Weight [kg]

0.112

Electrical connection

Wiring

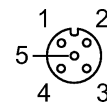
1: AS-i +

2: 0V

3: AS-i -

4: +24V

5: Protective earth (PE)



Remarks

Pack quantity [piece]

1

ifm efector, inc. • 1100 Atwater Drive • Malvern • PA 19355 — We reserve the right to make technical alterations without prior notice. — US — E70188 — 07.04.2014

no longer available - archive entryAlternative article: E70588

When selecting an alternative article and accessories please note that technical data may differ!