

no longer available - archive entry

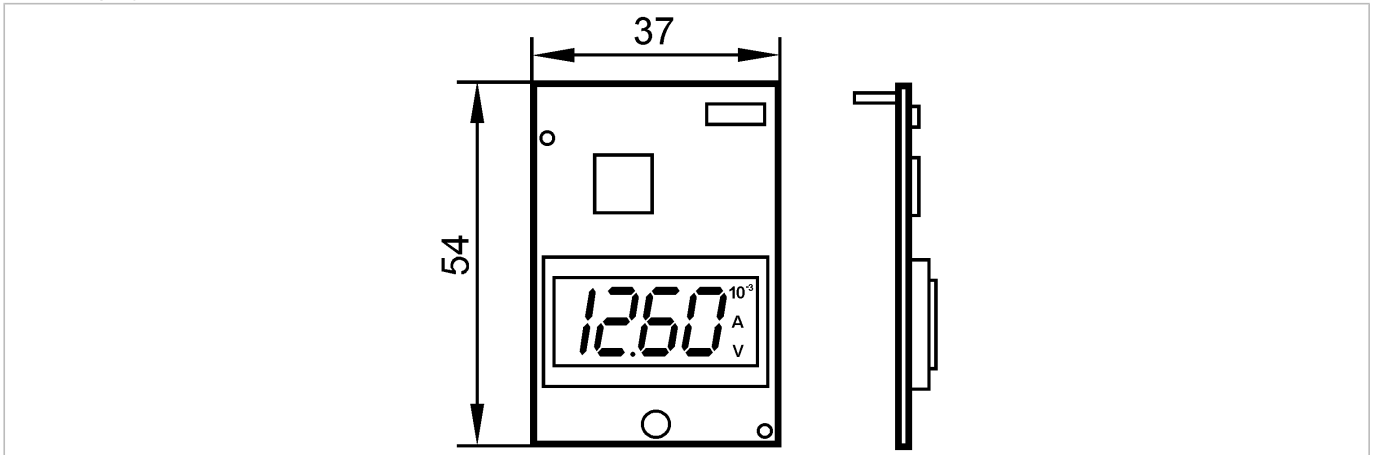
**ecomat300<sup>®</sup>**

E70127



Accessories

LCD-Display 4D



Product characteristics

Datasheet in PDF format: [e70127.pdf](#)

LCD-display for analog modules

Mechanical data

Weight	[kg]	0.028
--------	------	-------

Remarks

Pack quantity	[piece]	1
---------------	---------	---

ifm efector, inc. • 1100 Atwater Drive • Malvern • PA 19355 — We reserve the right to make technical alterations without prior notice. — US — E70127 — 06.03.2003

no longer available - archive entry