

no longer available - archive entryreplaced by: E70423

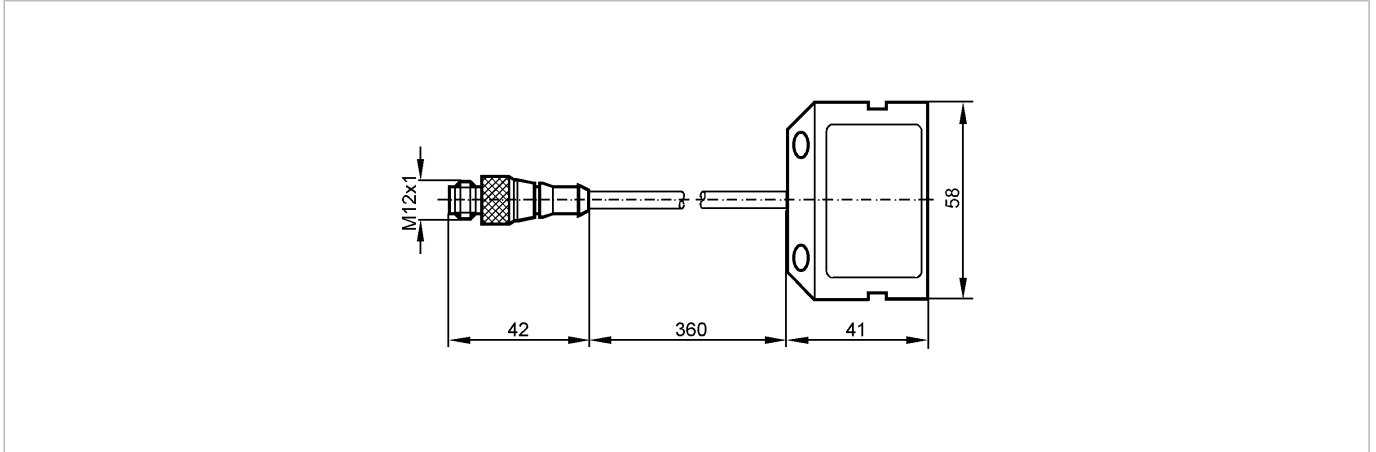
ecomat300

E70123



Adressier-Adapter

Accessories



Product characteristics

Addressing cable

Application

Application

for the addressing of active AS-i compact modules

Mechanical data

Weight

[kg]

0.046

Remarks

Pack quantity

[piece]

1

ifm efector, inc. • 1100 Atwater Drive • Malvern • PA 19355 — We reserve the right to make technical alterations without prior notice. — US — E70123 — 06.03.2003

no longer available - archive entryreplaced by: E70423