

no longer available - archive entry replaced by: E70498

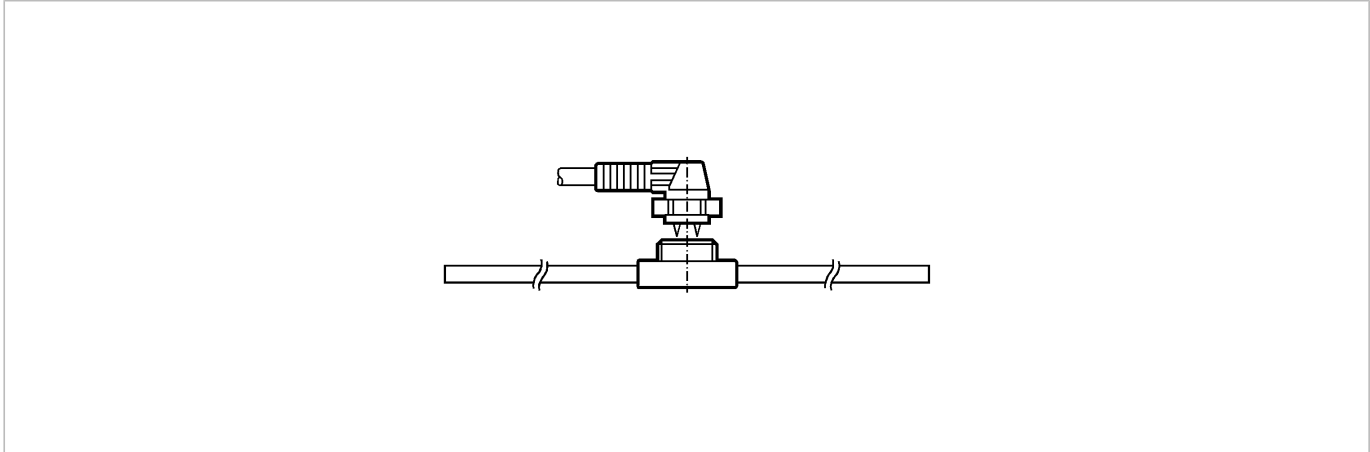
ecomat300

E70098



FLAT CABLE CONNECTOR 1M

Accessories



Product characteristics

FC insulation displacement connector

Transition from flat cable to round cable

Cable length 2 m

Electrical data

Electrical design

AS-i

Max. current load per module [mA]

4000

Environment

Ambient temperature [°C]

-25...75

Protection

IP 67

Mechanical data

Housing materials

TPU (urethane); PA (polyamide); round cable: PUR; Cable jacket: PVC

Weight [kg]

0.166

Electrical connection

Connection

FC insulation displacement connector with round cable / 2 m; 2 x 1.5 mm²; 2-wire, cable sheath Ø 6.8 mm

Wiring

AS-i +: brown

AS-i -: blue

Accessories

Accessories (included)

Clamp

Accessories (optional)

flat cable seal (E70413);
heat-shrink cap (E70113)

Remarks

Remarks

The flat cable cannot end in the splitter. Use a flat cable seal or heat-shrink cap for sealing.

Pack quantity

[piece]

1

ifm efector, inc. • 1100 Atwater Drive • Malvern • PA 19355 — We reserve the right to make technical alterations without prior notice. — US — E70098 — 17.05.2011

no longer available - archive entry replaced by: E70498