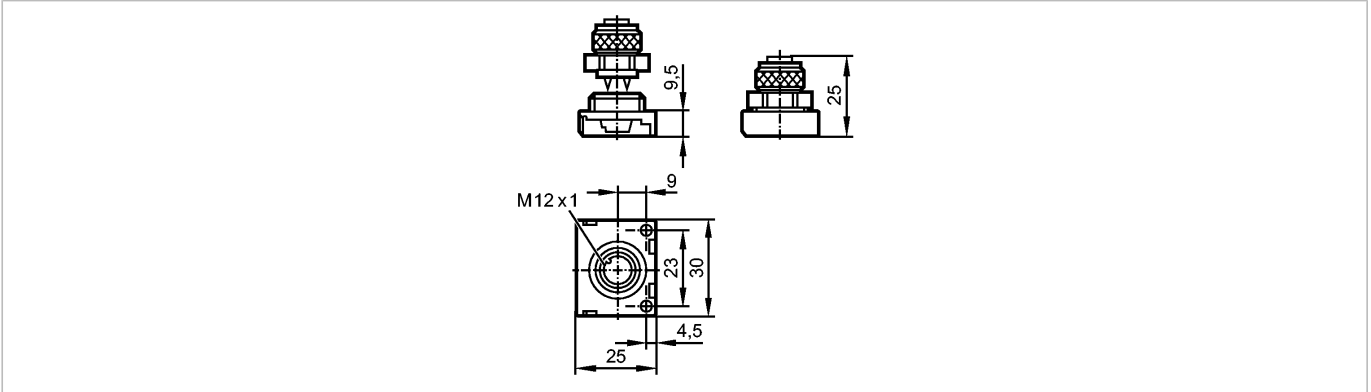


FLAT CABLE CONNECTOR M12

Accessories



Product characteristics	
FC insulation displacement connector	
Socket M12 - AS-i flat cable	
Electrical data	
Current rating [A]	2
Environment	
Ambient temperature [°C]	-25...75
Protection	IP 67
Mechanical data	
Housing materials	PA
Weight [kg]	0.017
Electrical connection	

Wiring

connection to the yellow AS-i flat cable:

- Pin 1: AS-i +
- Pin 3: AS-i -

connection to the black flat cable:

- Pin 1: +24 V DC
- Pin 3: 0 V



Remarks

Remarks

Installation instructions: First separate the fixture (orange) from the insulation displacement connector. Insert the cable in the fixture and close it again. Screw the fixture back on the insulation displacement connector.

Pack quantity [piece]	1
-----------------------	---