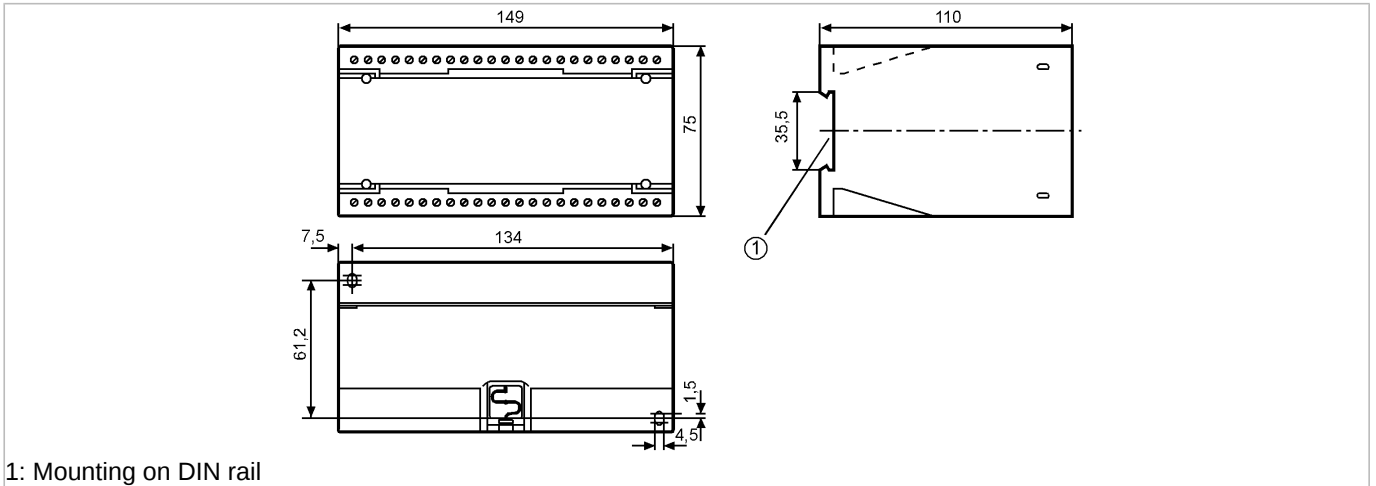




SSI Controller RM/HTL RM61xxx

Encoders



1: Mounting on DIN rail



Product characteristics

SSI Controller for encoder RM

Serial-parallel interface

Electrical data

Operating voltage	[V]	24 DC $\pm$ 20 %
Current consumption	[mA]	90 / 185 *)

Mechanical data

Housing materials	housing: plastics
Weight	[kg] 0.693

Environment

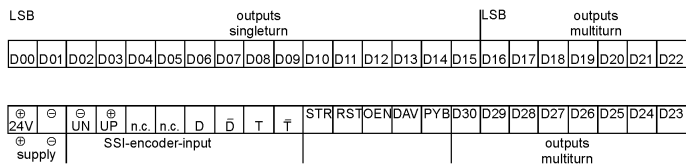
Ambient temperature	[°C] 0...50
---------------------	-------------

Protection	IP 40; terminals IP 20
------------	------------------------

Electrical connection

Connection	terminals up to 2.5 mm <sup>2</sup>
Max. cable length	[m] 100

Wiring



Remarks

Remarks	*) 90 mA — all outputs disabled (high resistance) / 185 mA — all outputs enabled and no load (low resistance)
---------	---

Pack quantity	[piece] 1
---------------	-----------

Other data

Signal level	TTL compatible signals (according to RS485)
Clock output/data input/clock input STR	high > 2.5 V at < 20 mA / low < 0.5 V at < 20 mA / high > 16 V at < 2 mA
Clock frequency / Data frequency	100 kHz / bin. 1 kHz, BCD 0.6 kHz data output level High 22.8 V without load / Low 1.4 V without load