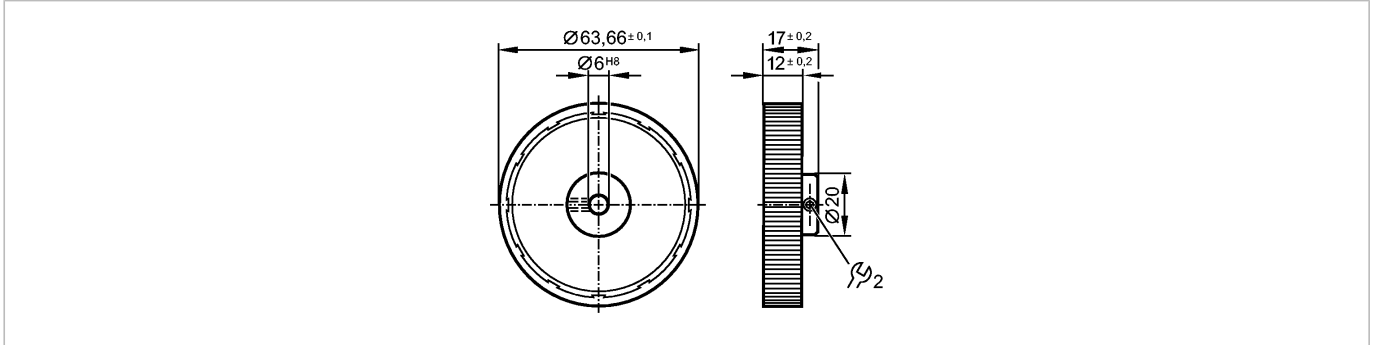




MEASURING WHEEL U:200 N:06

Accessories



Product characteristics

Measuring wheel

$\varnothing 63.66 \pm 0.1$ mm / $\varnothing 6$ mm

Environment

Ambient temperature [°C] -30...80

Mechanical data

Design grooved plastic

Surface hardness 90° Shore A

Housing materials wheel: aluminum; surface characteristics: PU (polyurethane)

Circumference [mm] 200

D Shaft diameter [mm] 6

B Width [mm] 12 ± 0.2

A Total width [mm] 17 ± 0.2

Tightening torque set screw [Nm] 1.5

Weight [kg] 0.067

Remarks

Pack quantity [piece] 1